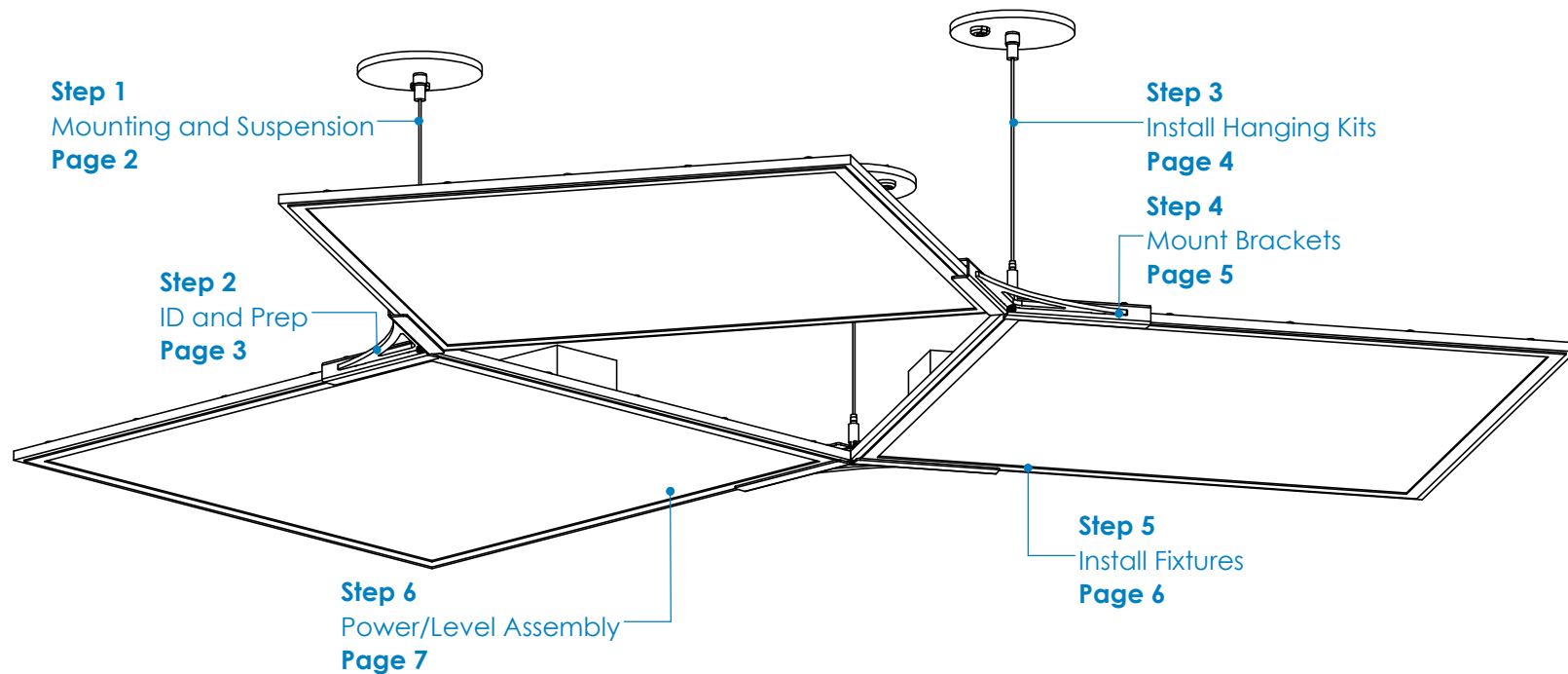


FPHK Installation Instructions

Overview

WARNINGS

- This product must be installed in accordance with all applicable codes by a person familiar with the product.
- Each fixture must be **properly supported** during install.
- **DO NOT** join fixtures on the floor prior to lifting, or damage will occur.
- **Before beginning installation**, review our complete list of warnings by visiting www.saylite.com/warnings.



FPHK Installation Instructions

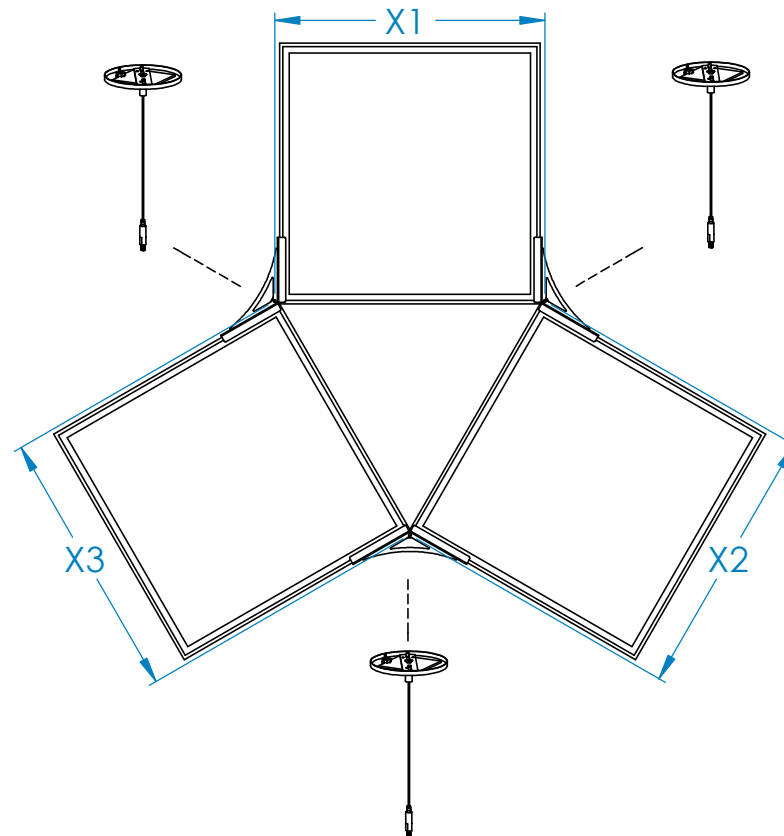
Step 1 - Mounting and Suspension

Mounting

Drywall or other hard surfaces* - HC301 Hanging Kit

- Install hanging kits at suspension locations.
- Ensure hanging kits are secure.
- Prepare fixture for mounting.

*Other hard surfaces include: wood, sheet metal panels, steel beams, concrete or masonry. Use hardware appropriate for each surface and material type.



Suspension Locations

X = Suspension Dimensions

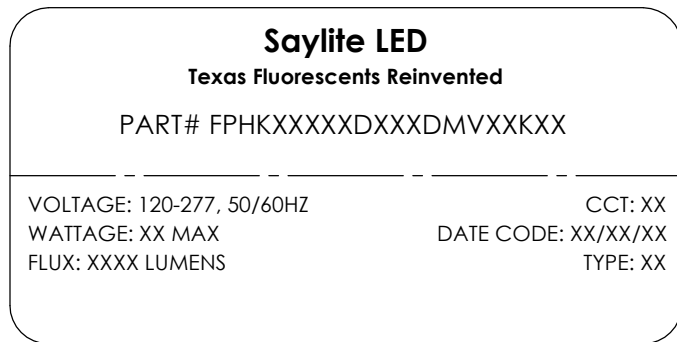
Refer to Assembly Drawings and building plans to determine exact mounting, suspension points, and power feed locations.

***NOTE:** This page shows one possible configuration, other configurations will have different mounting layouts. Mounting locations will vary depending on the FPHK brackets used in a given configuration.

FPHK Installation Instructions

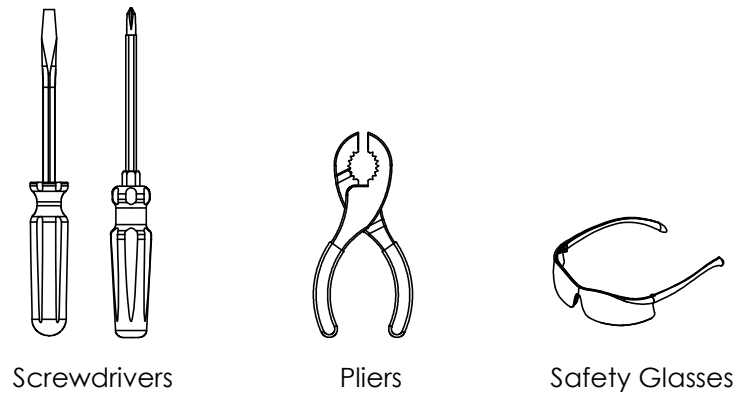
Step 2 - Identification and Preparation

A. Identify Fixtures



- Use labels found on the box and inside the fixture bodies to identify bodies.
- **NOTE:** Locations of labels can vary.
- Remove all fixtures from their boxes.
- Organize fixtures based on their labels at the install location.

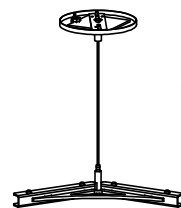
B. Tools Needed



- Always use proper safety equipment when installing fixtures.
- Tools shown are recommended for standard install. Tools needed may vary based on actual install location conditions.

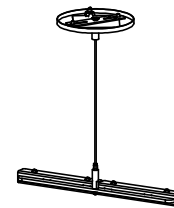
Kitted Hardware

- Saylite has provided the items listed here, with their Saylite part numbers listed. These items can be found in separate boxes shipped with the fixture.
- Ensure all parts are accounted for and set them aside until needed.
- Any additional hardware needed for this installation will be provided by others.



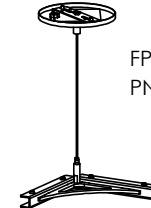
FP Hanging Kit
PN: 1JBFPHK120

OR



FP Hanging Kit
PN: 1JBFPHK180

OR

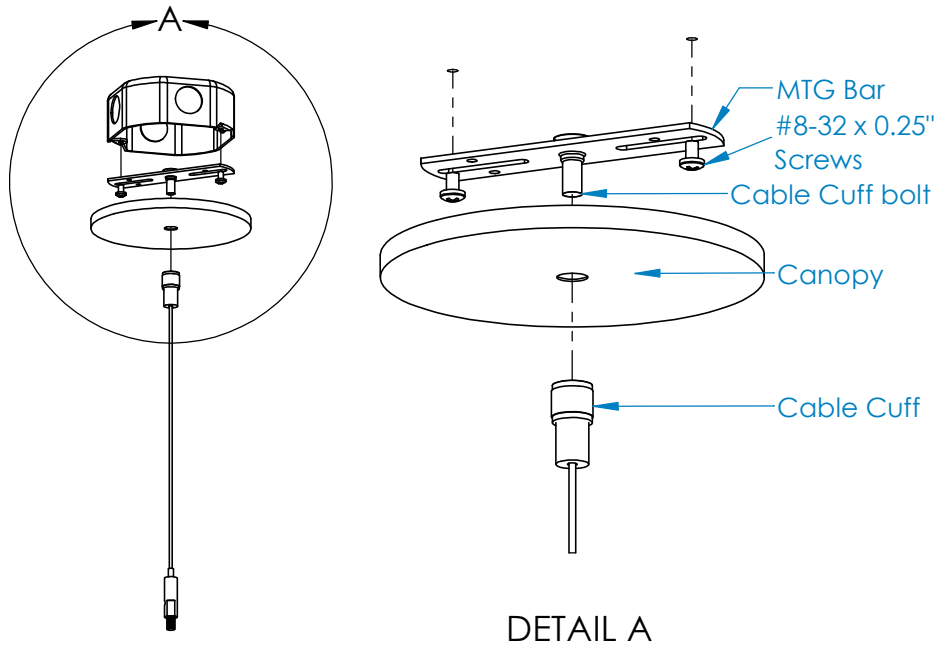


FP Hanging Kit
PN: 1JBFPHK90

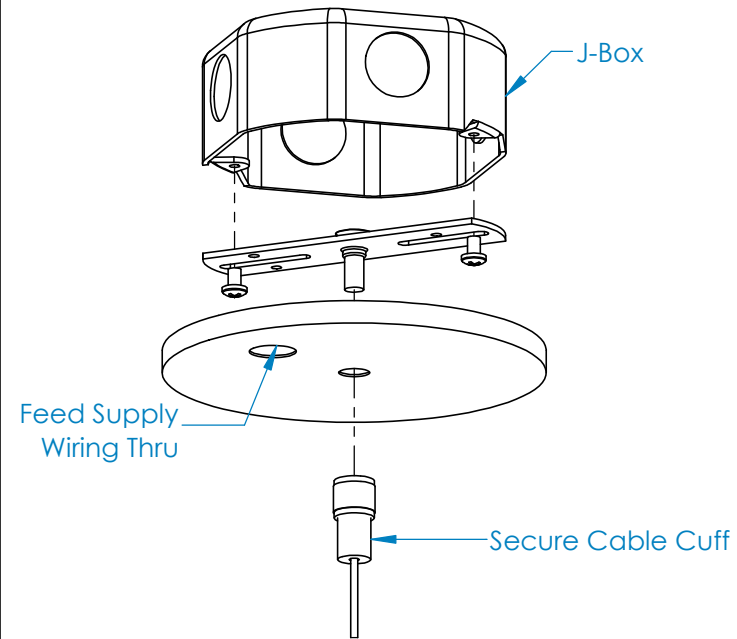
FPHK Installation Instructions

Step 3 - Install Hanging Kits

A. Install NPF Kit



B. Install PF Kit



- Secure mounting bar to existing junction box using (2) #8-32 x .25" machine screws.
- Install the canopy over the cable cuff bolt with outside edge facing upwards.
- Secure cable cuff to the bolt, and tighten 1/4 turn with pliers.

- Repeat previous steps to install mounting bar to junction box.
- Feed supply wiring thru the canopy prior to install.
- Repeat previous steps to install the cable cuff to the bolt.

NOTE: Other hanging kit options available upon request.

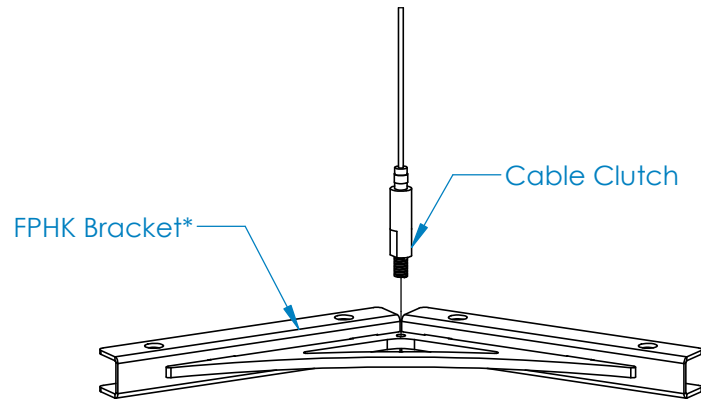
FPHK Installation Instructions

Step 4 - Mount Brackets



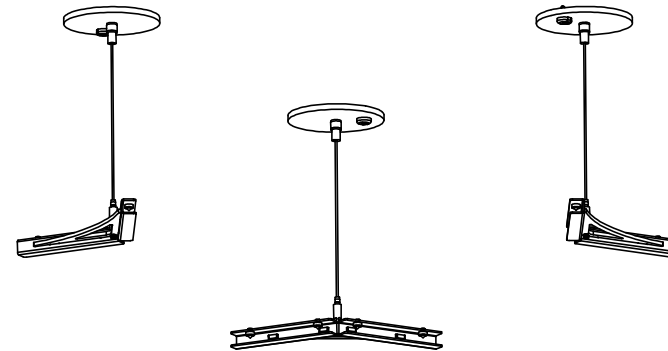
Texas Fluorescents Reinvented

A. Attach Brackets to Cables



- Attach the FPHK brackets to the threaded ends of the hanging kit cables.
- Secure the bracket to the cable end and tighten 1/4 turn using pliers. Repeat for all remaining brackets.

B. Align Brackets



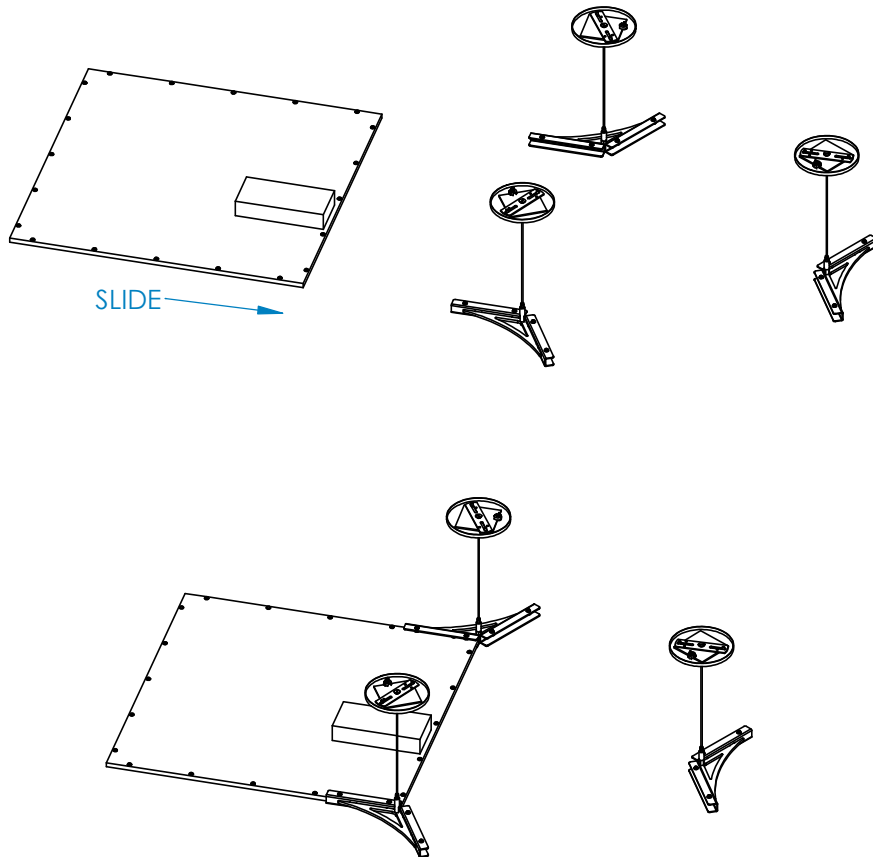
- Align brackets to approximate shape of fixtures that will be installed, by rotating pendant cables or brackets as needed. Repeat for all remaining brackets.

***NOTE:** Bracket shape and alignment will vary according to type of FPHK bracket being used.

FPHK Installation Instructions

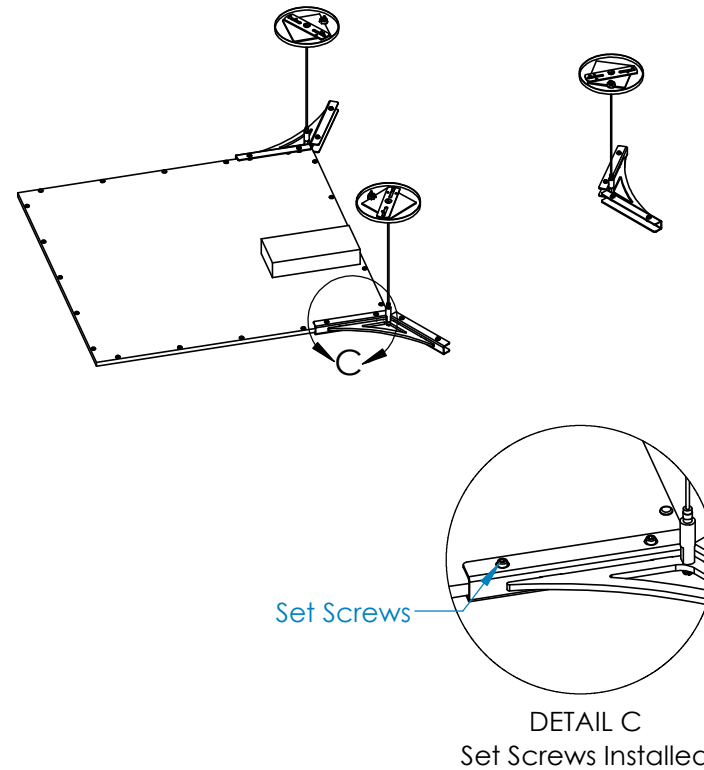
Step 5 - Install Fixtures

A. Slide Fixture Into Place



- Slide one fixture into place at a time, ensuring that the fixture is properly aligned.

B. Secure Fixture



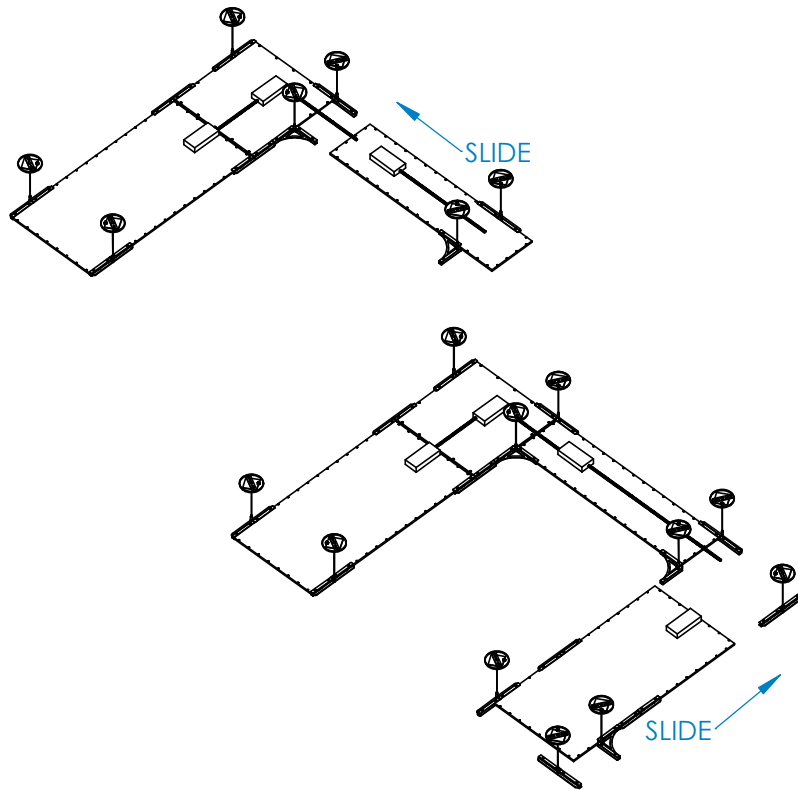
- Once the fixture is in place, use (4)* set screws to secure the fixture in the correct position.
- Ensure that both brackets holding the fixture have all necessary set screws. Repeat steps for all remaining fixtures. This step will be the same for every FPHK bracket variation.

***NOTE:** The number of set screws needed may change depending on the type of FPHK bracket used.

FPHK Installation Instructions

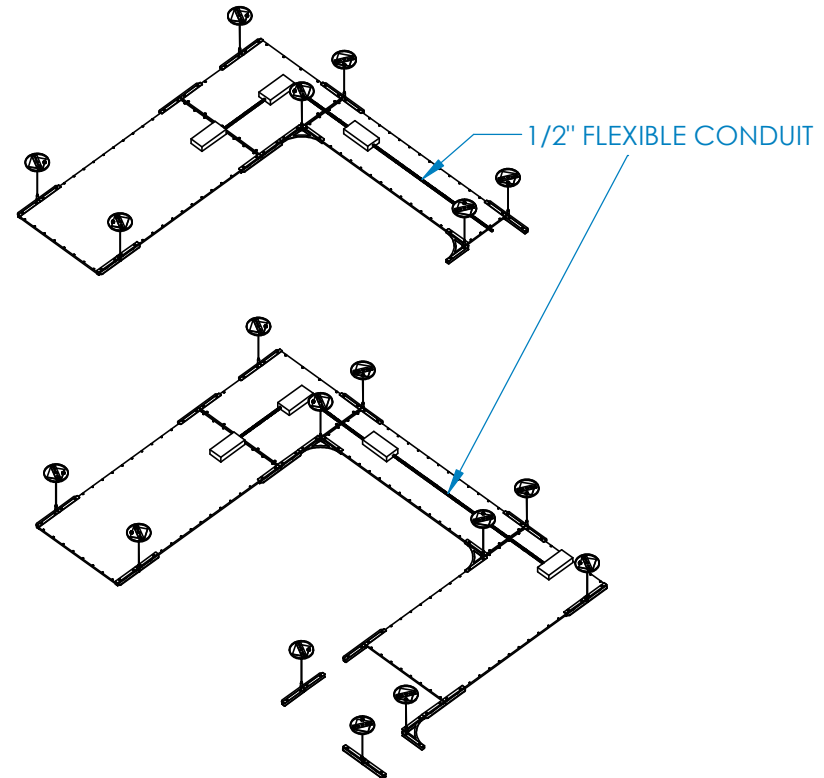
Step 5A - Install Fixtures (Alternate Configuration)

A. Slide Fixtures Into Place



- Slide one fixture into place at a time, ensuring that the fixture is properly aligned.
- This page shows the installation steps for an alternate configuration.

B. Secure Fixtures



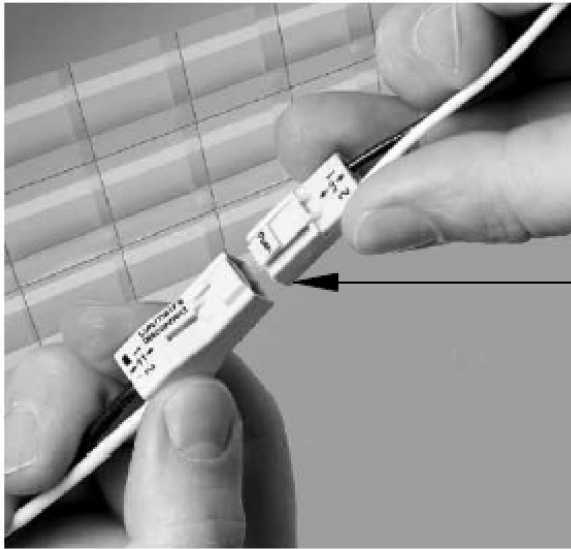
- Once the fixture is in place, use (4)* set screws to secure the fixture in the correct position.
- Ensure that both brackets holding the fixture have all necessary set screws. Repeat steps for all remaining fixtures in the configuration.

***NOTE:** This step shows installation for an alternate configuration. Some components are already installed in this configuration.

FPHK Installation Instructions

Step 6 - Power and Level Assembly

A. Connect Fixture Wiring



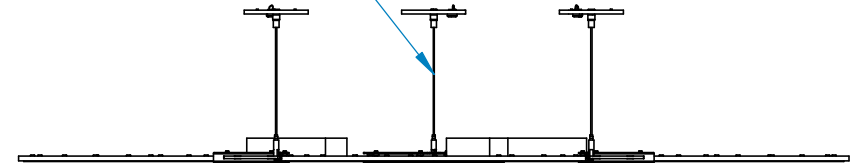
WIRING LEGEND		
BLACK	HOT	Line Voltage
WHITE	NEUTRAL	Line Voltage
GREEN	GROUND	
GRAY	DIMMING	0-10V DC
VIOLET	DIMMING	0-10V DC

- Wire each fixture to the incoming power supply using the provided quick disconnect clip as shown.*
- For dimming option, refer to wiring legend above.
- Use UL approved connectors only. Follow all local, state and national codes. Repeat for all remaining fixtures.

***NOTE:** In configurations with several fixtures, 1/2" flexible wiring conduit may be used to wire multiple fixtures together. The wiring legend above can still be referred to.

B. Level Assembly

ADJUST CABLES
TO LEVEL FIXTURE



- Make final adjustments of cables, ensuring fixture is level.
- Fixture install is now complete.