

# ICF Installation Instructions

## Overview

### WARNINGS

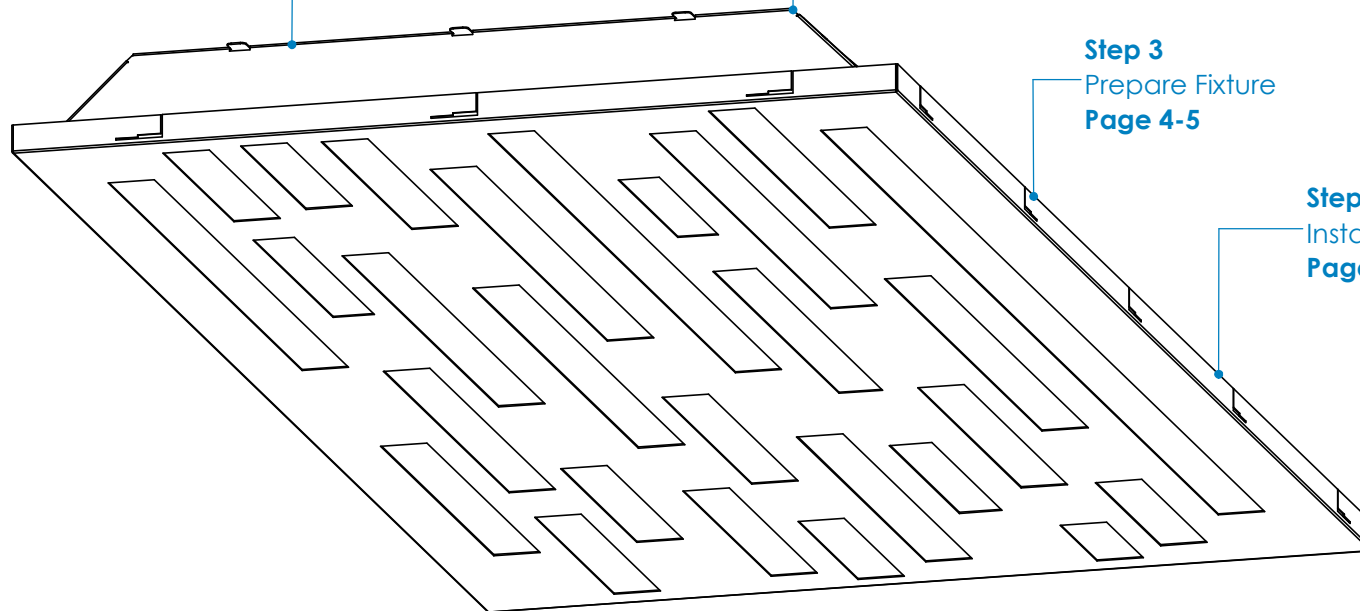
- This product must be installed in accordance with all applicable codes by a person familiar with the product.
- Each fixture must be properly supported during install.
- **DO NOT** join fixtures on the floor prior to lifting, or damage will occur.
- **Before beginning installation**, review our complete list of warnings by visiting [www.saylite.com/warnings](http://www.saylite.com/warnings).

**Step 1**  
Mounting and Suspension  
Page 2

**Step 2**  
ID and Prep  
Page 3

**Step 3**  
Prepare Fixture  
Page 4-5

**Step 4**  
Install Fixture  
Page 6



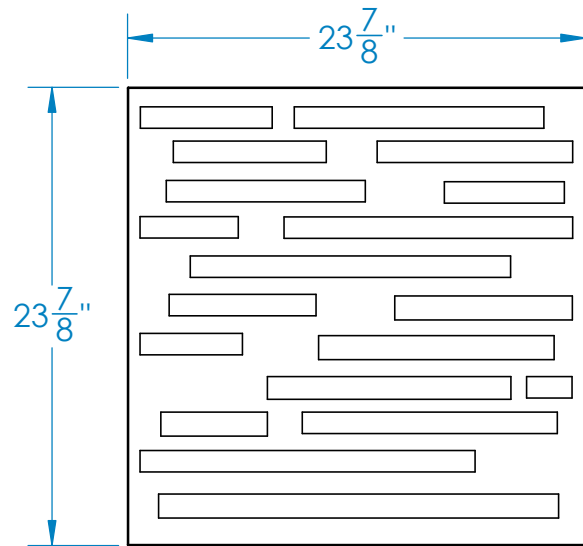
Your particular build may vary.

2020© Saylite | 2055 Luna Road, Suite 142 Carrollton, Texas 75006 | [www.saylite.com](http://www.saylite.com)

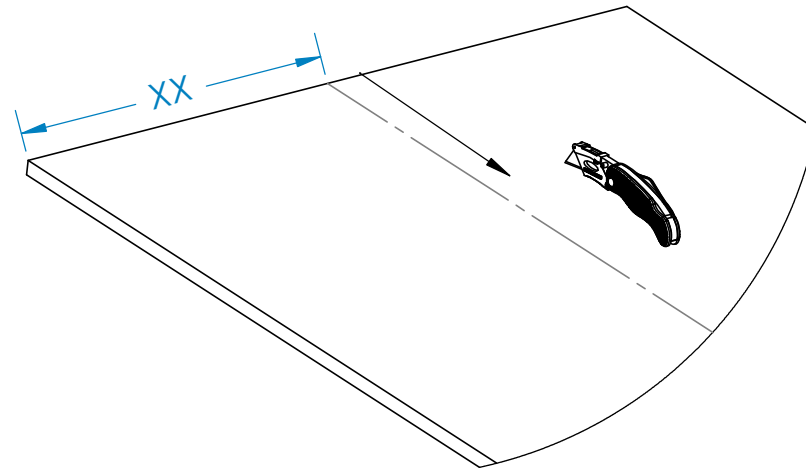
# ICF Installation Instructions

## Step 1 - Mounting and Suspension

### A. Transfer Fixture Measurements\*



### B. Cut Ceiling Panels



- Note the length and width of the fixture.
- Transfer the dimensions to the hanging grid and set the grid rails to the proper width.

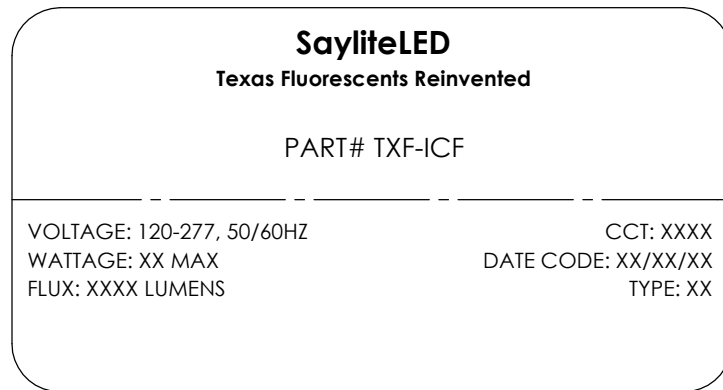
- Optional: Cut ceiling tiles to fit custom fixture spaced grids.

**\*NOTE:** Length and width dimensions will vary according to specific fixture model being installed. Measure each fixture to be installed to ensure the grid spacing is correct.

# ICF Installation Instructions

## Step 2 - Identification and Preparation

### A. Identify Fixtures



- Use labels found on the box and inside the fixture bodies to identify bodies.
- **NOTE:** Locations of labels can vary.
- Remove all fixtures from their boxes.
- Organize fixtures based on their labels at the install location.

### B. Tools Needed



Screwdriver



Utility Knife



Safety Glasses

- Always use proper safety equipment when installing fixtures.
- Tools shown are recommended for standard install. Tools needed may vary based on actual install location conditions.

### Kitted Hardware

- Saylite has provided the items listed here, with their Saylite part numbers listed. These items can be found in separate boxes shipped with the fixture.
- Ensure all parts are accounted for and set them aside until needed.
- Any additional hardware needed for this installation will be provided by others.

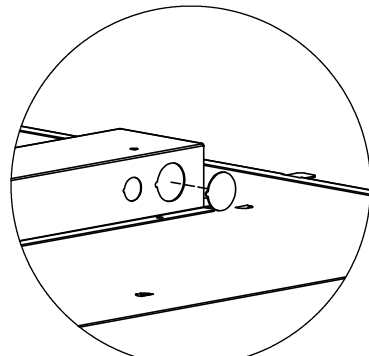
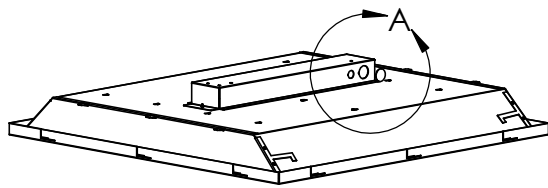
# ICF Installation Instructions

## Step 3 - Prepare Fixture



Texas Fluorescents Reinvented

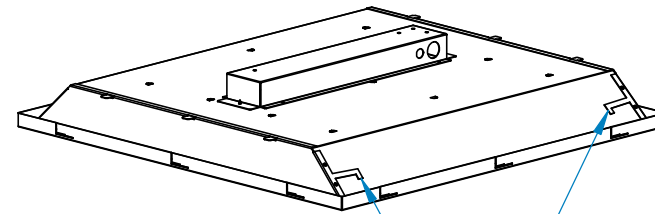
### A. Remove Knockout



DETAIL A  
SCALE 1 : 4

- Using a flat head screwdriver, gently pry upwards to remove the 7/8" knockout from the driver cover box on the back of the fixture.

### B. Open Hurricane Clips



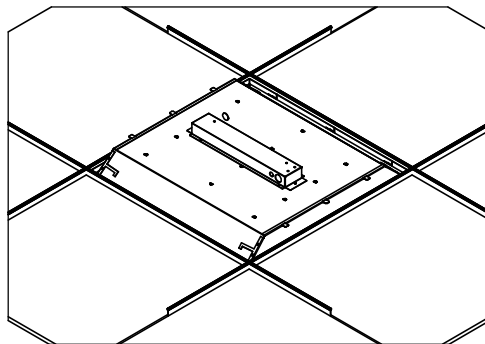
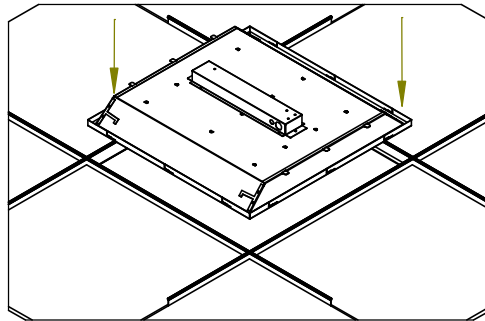
Open Hurricane Clips

- Open the hurricane safety clips to 90° to prepare the fixture for mounting on the grid.

# ICF Installation Instructions

## Step 4 - Install and Wire Fixture

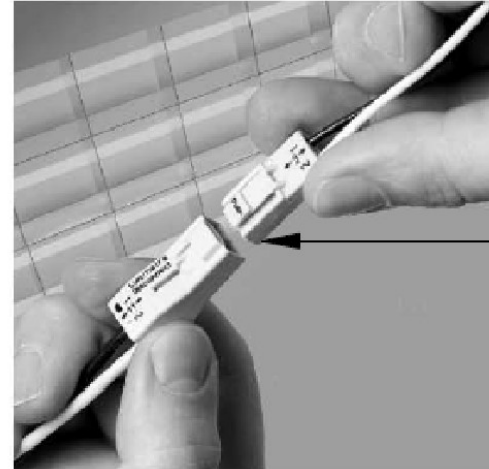
### A. Install the Fixture



INSTALLED

- Lay the fixture into the grid as shown above. Make sure all hurricane clips are over grid.

### B. Connect Fixture Wiring



WIRING LEGEND		
BLACK	HOT	Line Voltage
WHITE	NEUTRAL	Line Voltage
GREEN	GROUND	
GRAY	DIMMING	0-10V DC
VIOLET	DIMMING	0-10V DC

- Wire each fixture to the incoming power supply using the provided quick disconnect clip as shown.\*
- For dimming option, refer to wiring legend above.
- Use UL approved connectors only. Follow all local, state and national codes. Repeat for all remaining fixtures.