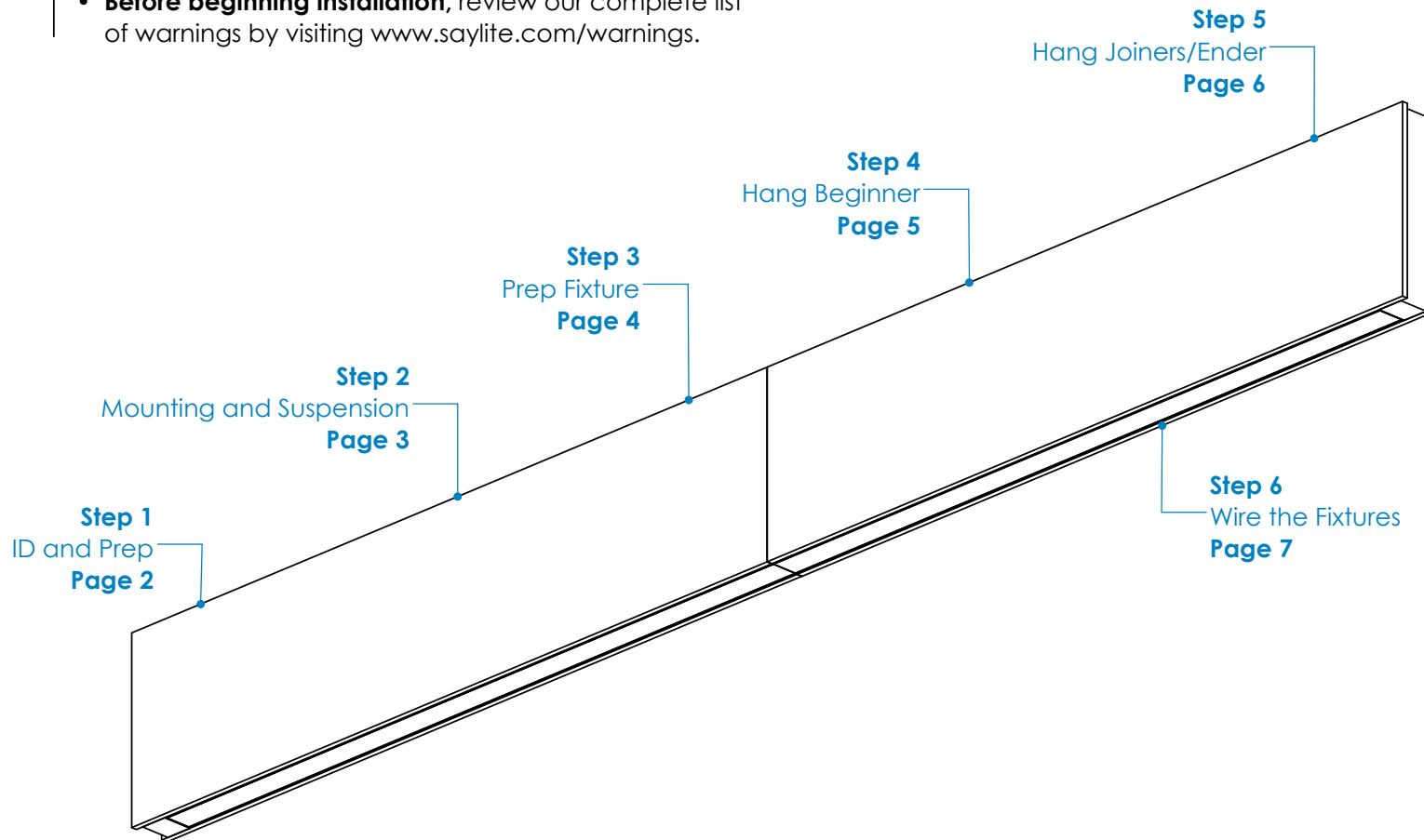


LAB-Continuous Run Installation Instructions

Overview

WARNINGS

- This product must be installed in accordance with all applicable codes by a person familiar with the product.
- Each fixture must be **properly supported** during install.
- **DO NOT** join fixtures on the floor prior to lifting, or damage will occur.
- **Before beginning installation**, review our complete list of warnings by visiting www.saylite.com/warnings.



Your particular build may vary.

2020© Saylite | 2055 Luna Road, Suite 142, Carrollton, TX 75006 | www.saylite.com

LAB-Continuous Run Installation Instructions

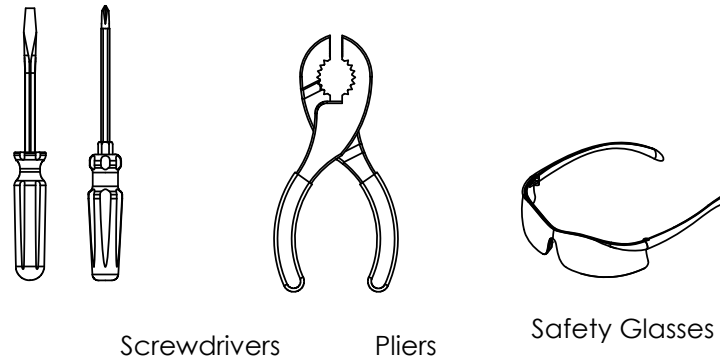
Step 1 - Identification and Preparation

A. Identify Fixtures

SayliteLED Texas Fluorescents Reinvented	
PART# LABxxLxxHLY(U/D)xxDMVxxKAxxAxx-(B/J/E)	
PART# LABxxLxxHLYUxxDxxDMVxxKAxxAxx-(B/J/E)	
VOLTAGE: 120-277V, 50/60HZ	CCT: XXXX K
WATTAGE: XX MAX	DATE CODE: XX/XX/XX
FLUX: XXXX LUMENS	TYPE: XX

- Use labels found on the box and inside the fixture bodies to identify bodies.
- **NOTE:** Locations of labels can vary.
- Remove all fixtures from their boxes.
- Organize fixtures based on their labels at the install location.

B. Tools Needed



- Always use proper safety equipment when installing fixtures.
- Tools shown are recommended for standard install. Tools needed may vary based on actual install location conditions.

Kitted Hardware

- Saylite has provided the items listed here, with their Saylite part numbers listed. These items can be found in separate boxes shipped with the fixture.
- Ensure all parts are accounted for and set them aside until needed.
- Any additional hardware needed for this installation will be provided by others.

LAB-Continuous Run Installation Instructions

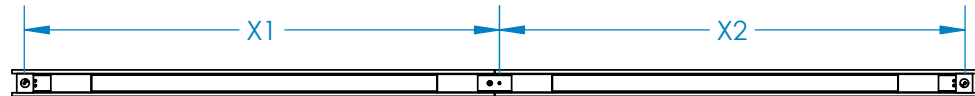
Step 2 - Step Description

Mounting

Drywall or other hard surfaces - HC 605 Hanging Kit*

- Install hanging kits at suspension locations.
- Ensure hanging kits are secure.
- Prepare fixture for mounting.

Other hard surfaces include: wood, sheet metal panels, steel beams, concrete or masonry. Use hardware appropriate for each surface and material type.



Suspension Locations

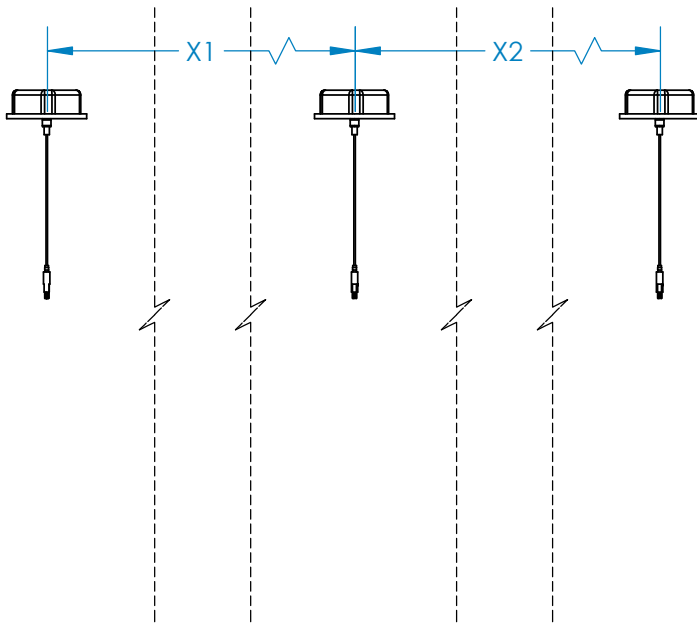
X = Suspension Dimensions

Refer to Assembly Drawings and building plans to determine exact mounting, suspension points, and power feed locations.

LAB-Continuous Run Installation Instructions

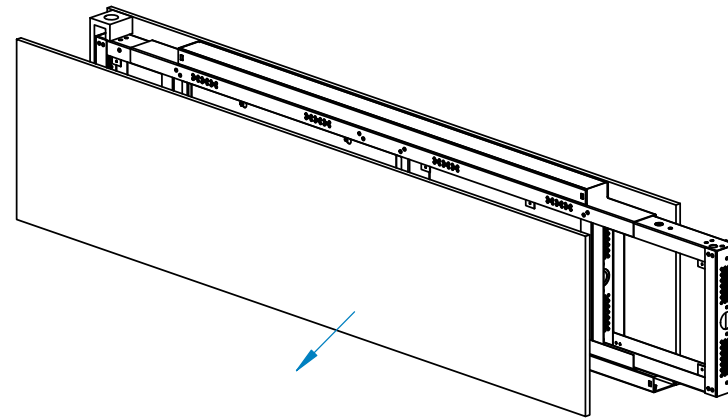
Step 3 - Prepare for Fixture Mounting

A. Install Hanging Kits



- Install the hanging kits to the ceiling at the desired mounting locations.
- Ensure that hanging kits are properly secured.
- Adjust hanging cables to desired length, cables can be further adjusted after fixture is installed.
- Refer to hanging kit installation guide for more information.

B. Remove Acoustic Panels

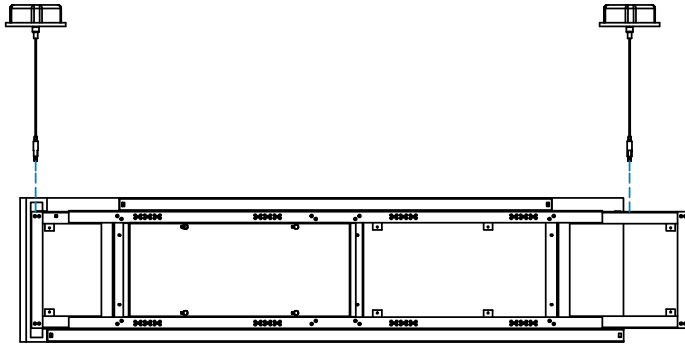


- Remove the acoustic panels from the fixtures by uninstalling the hidden screws along the panels.
- Set the panels and the screws aside for later use.

LAB-Continuous Run Installation Instructions

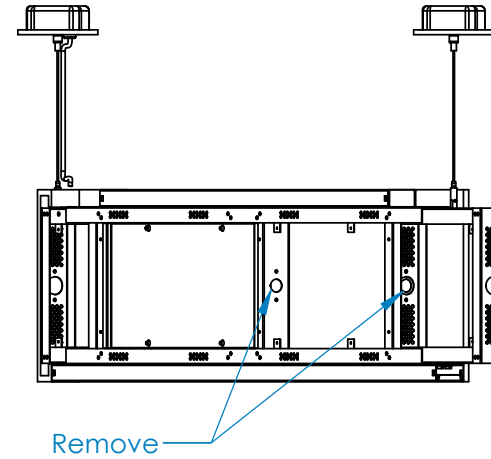
Step 4 - Hang the Beginner Fixture

A. Install to Hanging Cables



- Install the threaded ends of the hanging cables to the hanging points on the beginner fixture.
- Use pliers or equivalent to tighten the threaded ends 1/4 turn.

B. Prepare Fixture Wiring

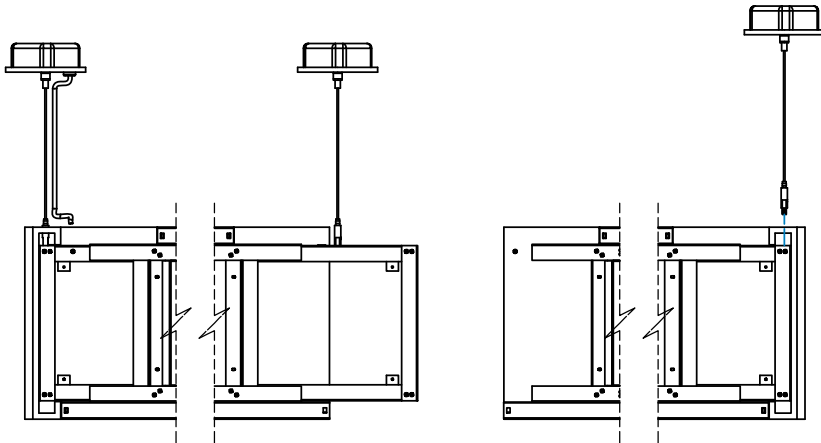


- Remove the knockouts noted above by gently prying up on each knockout with a flat head screwdriver.
- Pull or thread any necessary wiring thru the removed knockouts.

LAB-Continuous Run Installation Instructions

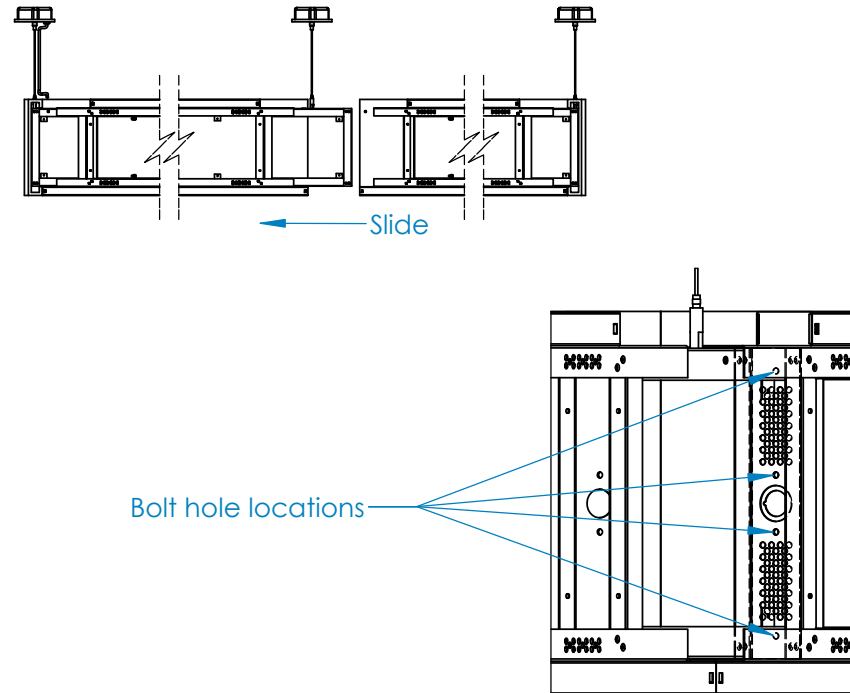
Step 5 - Hang Joiner/Ender Fixture(s)

A. Hang Extender/End



- For Joiners: Install the threaded end of the hanging cable to the fixture end with an extender.
- For Enders: Install the threaded end of the hanging cable to the fixture end with an acoustic cap.
- Use pliers or equivalent to tighten the threaded ends 1/4 turn.
- Support the free hanging end thru the completion of the next sub-step.

B. Secure Extender Between Fixtures



- Insert the joiner/ender fixture to the extender bracing.
- Use #8 bolts and nuts to secure the joiner/ender fixture to the extender bracing. The access panel on the joiner/ender fixture must be removed to access the backside of the bolt hole locations noted above.
- Repeat this step until all fixtures are hanging.

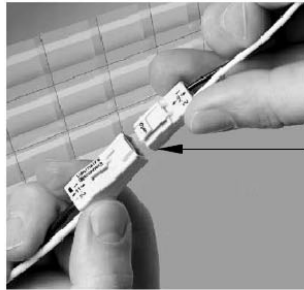
LAB-Continuous Run Installation Instructions

Step 6 - Wire the Fixture



Texas Fluorescents Reinvented

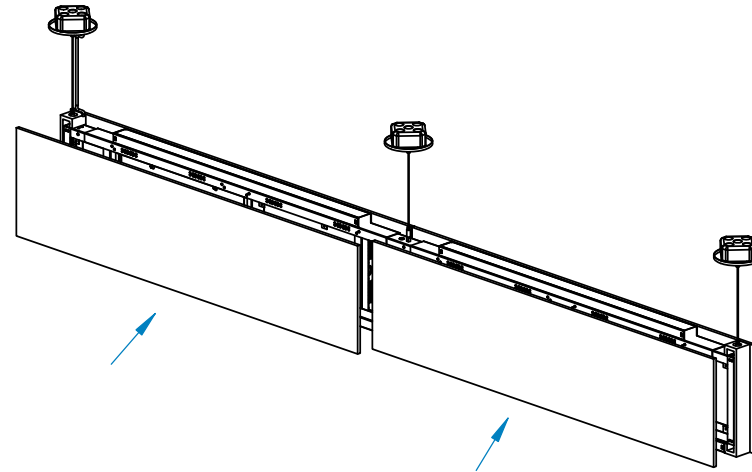
A. Connect Fixture Wiring



WIRING LEGEND		
BLACK	HOT	Line Voltage
WHITE	NEUTRAL	Line Voltage
GREEN	GROUND	
GRAY	DIMMING	0-10V DC
VIOLET	DIMMING	0-10V DC

- Connect wiring between fixtures as needed, ensuring that jacketed wires are threaded thru the removed knockouts from Step 4. Ensure connections between fixtures are tucked into wiring panels.
- Wire fixtures to the incoming power supply using the provided quick disconnect clip as shown.
- For dimming option, refer to wiring legend above.
- Use UL approved connectors only. Follow all local, state and national codes.

B. Replace Acoustic Panels



- Ensure all wiring is secured behind wiring panels and extender bracing is fully secured to joiner/ender fixtures.
- Replace the acoustic panels removed in Step 3 by reinstalling the hidden screws to the fixtures.
- Installation is now complete.