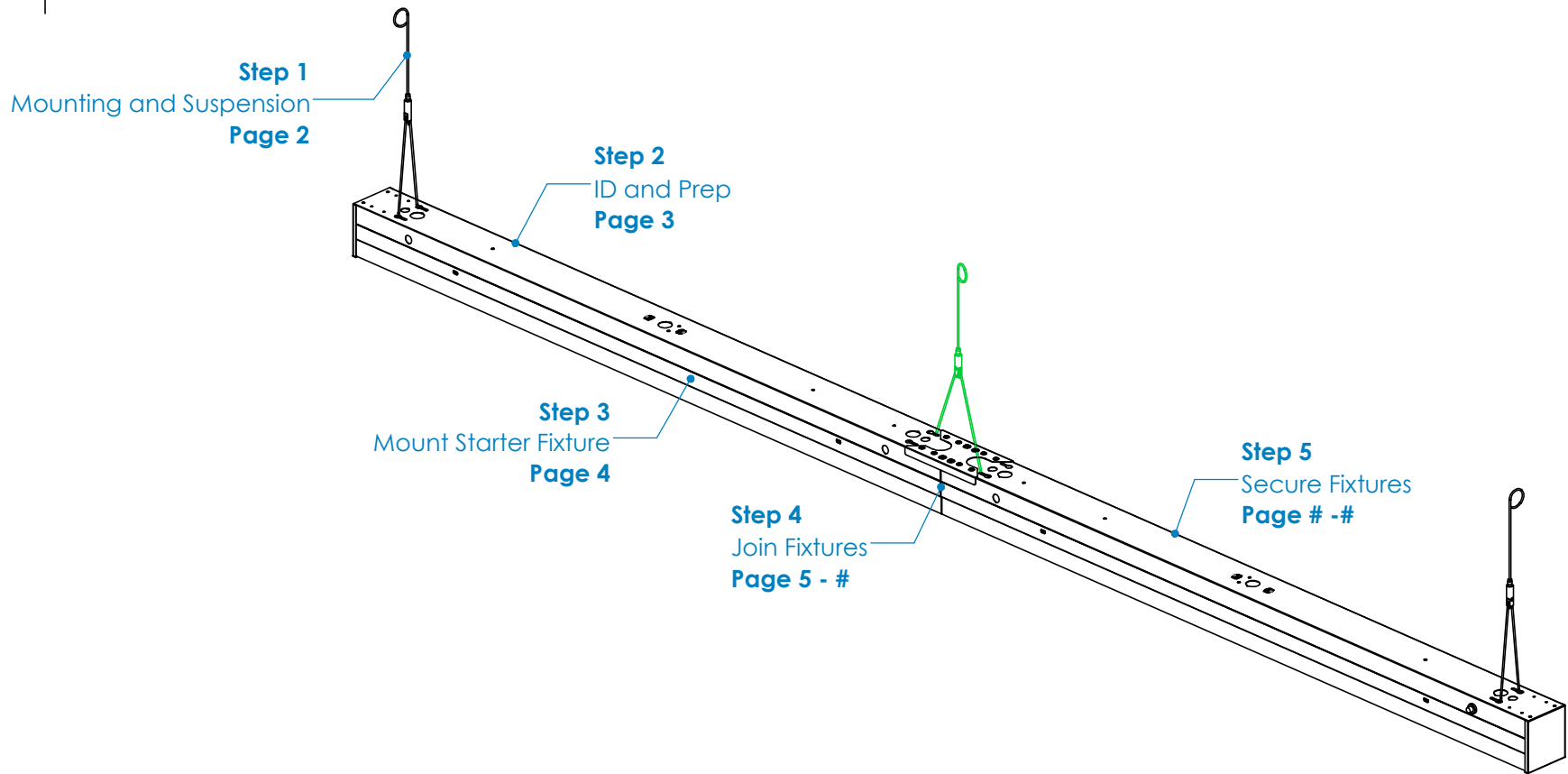


MAX 4 PENDANT-CONTINUOUS RUN Installation Instructions

Overview

WARNINGS

- This product must be installed in accordance with all applicable codes by a person familiar with the product.
- Each luminaire must be properly supported during install.
- DO NOT join fixtures on the floor prior to lifting, or damage will occur.
- Before beginning installation, review our complete list of warnings by visiting www.saylite.com/warnings.



MAX4 PENDANT-CONTINUOUS RUN Installation Instructions

Step 1 - Mounting and Suspension



Mounting Options

Option 1

Hanging Kit GT310

- Install hanging kit on secure structure
- Ensure cables are installed at mounting locations
- Adjust cables to desired length

Option 2

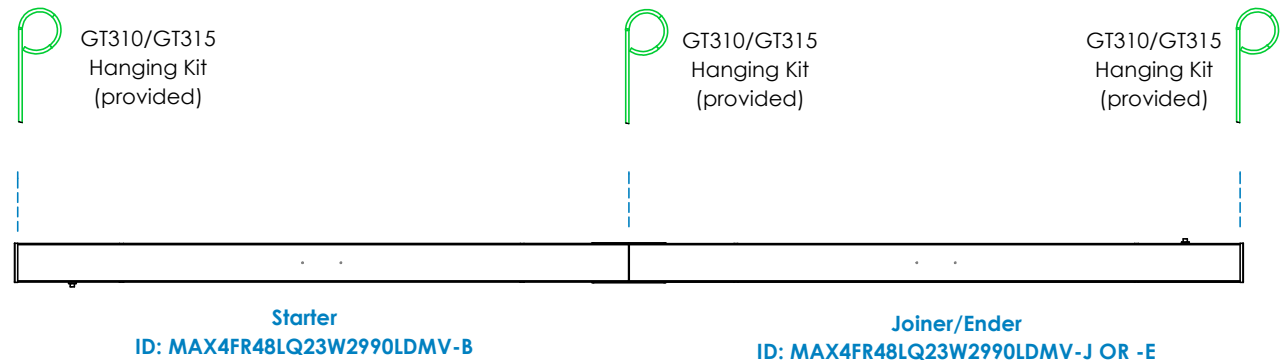
Hanging Kit GT315

- Install hanging kit on secure structure
- Ensure cables are installed at mounting locations
- Adjust cables to desired length

Suspension Locations

X = Suspension Dimensions

Refer to Assembly Drawings and building plans to determine exact mounting, suspension points, and power feed locations.



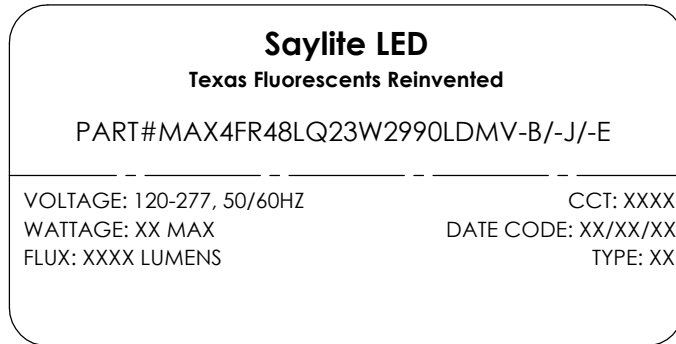
MAX4 PENDANT-CONTINUOUS RUN Installation Instructions

Step 2 - Identification and Preparation

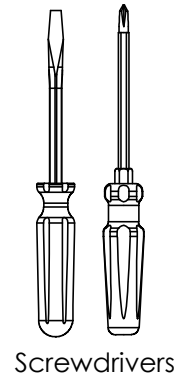


Texas Fluorescents Reinvented

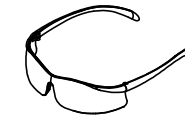
A. Identify Fixtures



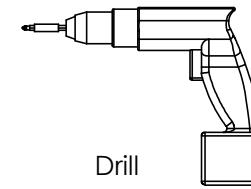
B. Tools Needed



Screwdrivers



Safety Glasses



Drill
(optional)

- Use labels found on the box and inside the fixture bodies to identify bodies.
- **NOTE:** Locations of labels can vary.
- Remove all fixtures from their boxes.
- Organize fixtures based on their labels at the install location.

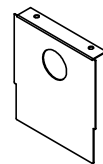
- Always use proper safety equipment when installing fixtures.
- Tools shown are recommended for standard install. Tools needed may vary based on actual install location conditions.

Kitted Hardware

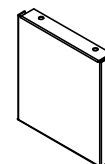
- Saylite has provided the items listed here, with their Saylite part numbers listed. These items can be found in separate boxes shipped with the fixture.
- Ensure all parts are accounted for and set them aside until needed.
- Any additional hardware needed for this installation will be provided by others.



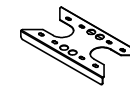
Pendant Mount Kit
PN: GT310/GT315



MAX4 CR
ENDCAP
PN: 1JBMAX4ECCRWH



MAX4
ENDCAP
PN: 1JBMAX4ECWH



MAX4
JOINER BRACKET
PN: 1JBMAX4JBWH

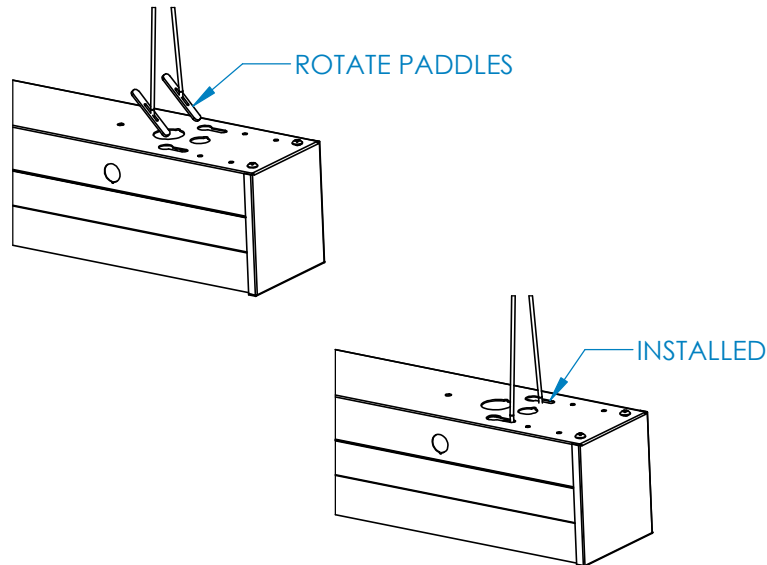
MAX4 PENDANT-CONTINUOUS RUN Installation Instructions

Step 3 - Mount Starter Fixture



Texas Fluorescents Reinvented

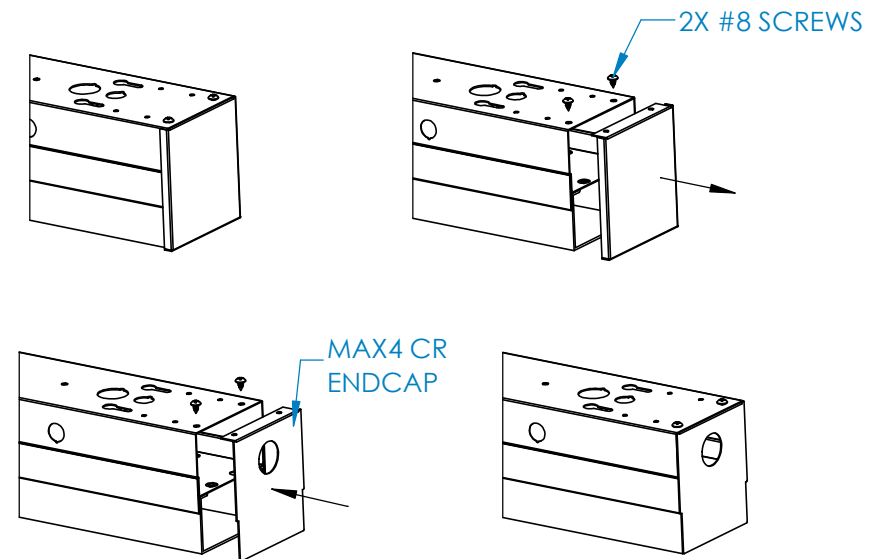
A. Mount Starter Fixture



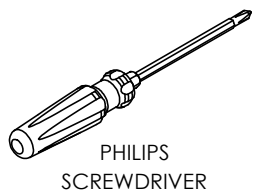
- Install hanging kit on end with pre-installed power cable first.
- To install, rotate the paddles and insert into keyways of the fixture.
- See kit install instructions on GT310/GT315 packaging for details.

B. Change Endcaps*

Hanging Kits Not Shown For Clarity



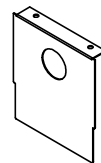
- Uninstall the standard endcap on the end **OPPOSITE** the power cable from the starter fixture by removing the 2 #8 screws and gently prying the endcap outward.
- Install the continuous run endcap by sliding the new endcap on the fixture and using the same 2 #8 screws to secure the endcap to the fixture.



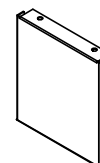
PHILIPS
SCREWDRIVER



Pendant Mount Kit
PN: GT310/GT315



MAX4 CR
ENDCAP
PN: 1JBMAX4ECCRWH



MAX4
ENDCAP
PN: 1JBMAX4ECWH

***NOTE:** Fixtures should come with the correct endcaps pre-installed. If you find that a fixture has the incorrect endcaps, refer to step 3B. Otherwise, continue to step 4A on the next page.

MAX4 PENDANT-CONTINUOUS RUN Installation Instructions

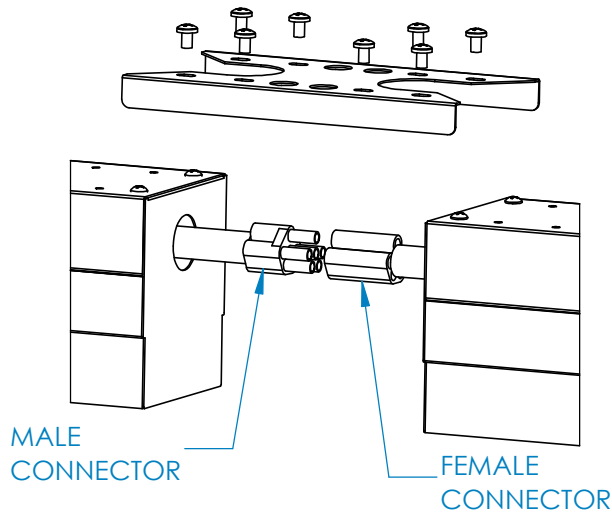
Step 4 - Join Fixtures



Texas Fluorescents Reinvented

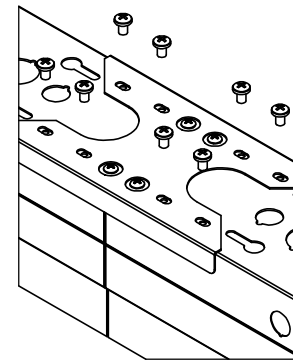
A. Join Fixtures Electrically

Hanging Kits Not Shown For Clarity

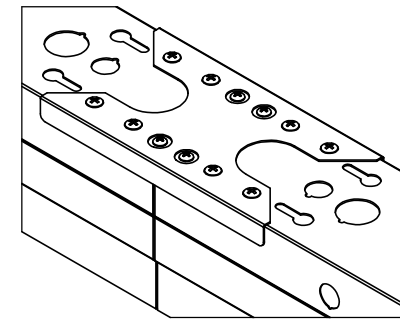


B. Install Joiner Bracket

Hanging Kits Not Shown For Clarity



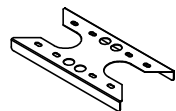
DETAIL B1



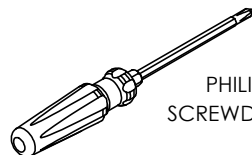
DETAIL B2

- Ensure that the joiner/ender fixture has the appropriate endcaps installed. Refer to the previous step for installing endcaps.
- Join the male connector and female connectors between the starter and joiner/ender fixture and slide the fixtures together.

- Once the fixtures have been joined, align the joiner bracket on top of the fixtures as shown above in Detail B1.
- Install the #8 screws to attach both fixtures to the joiner bracket as shown in Detail B2.



MAX4
JOINER BRACKET
PN: 1JBMAX4JBWH



PHILIPS
SCREWDRIVER

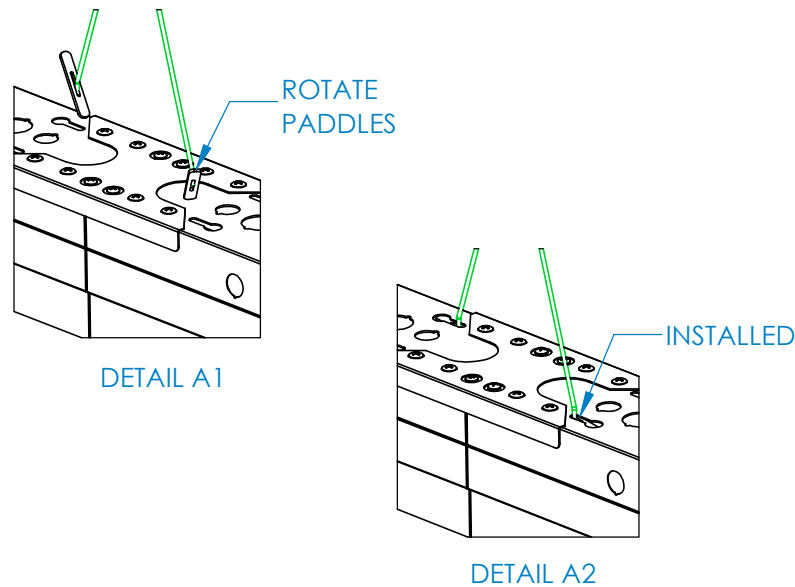
MAX4 PENDANT-CONTINUOUS RUN Installation Instructions

Step 5 - Secure Fixtures

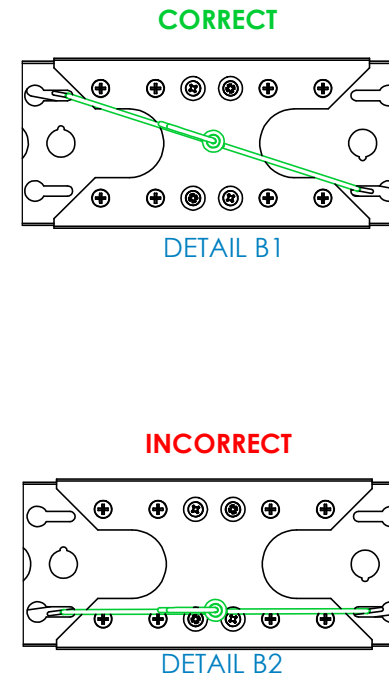


Texas Fluorescents Reinvented

A. Re-install Hanging Kit At Joint



B. Ensure Correct Installation



- After installing the joiner bracket, re-install the hanging kit closest to the fixture joint.
- To install, rotate the paddles and insert them into one keyway of each fixture as shown in Detail A1 and A2.

- Ensure the paddles are inserted into keyways that are diagonally across from one another. Detail B1 and B2 show the correct and incorrect installation of the hanging kit.
- To install another fixture, repeat steps 4 and 5 beginning with the most recently installed fixture.

MAX4 PENDANT-CONTINUOUS RUN Installation Instructions

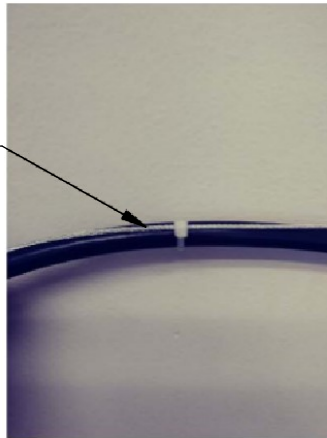
Step 6 - Power and Level Assembly



Texas Fluorescents Reinvented

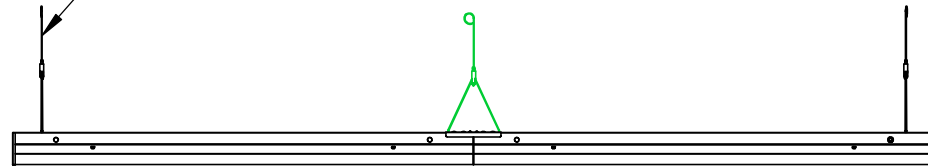
A. Secure the Power Cables

SECURE POWER CABLE TO
PENDANT CABLE USING ZIP TIES



B. Power/Level The Assembly

ADJUST CABLES
TO LEVEL FIXTURE



WIRING LEGEND		
BLACK	HOT	Line Voltage
WHITE	NEUTRAL	Line Voltage
GREEN	GROUND	
GRAY	DIMMING	0-10V DC
VIOLET	DIMMING	0-10V DC

- Make final adjustments of cables, ensuring fixture is level.
- Wire the fixture to the incoming supply according to all local, state and national codes.
- Fixture install is now complete.

- Secure the power cable to the pendant cable using zip ties.