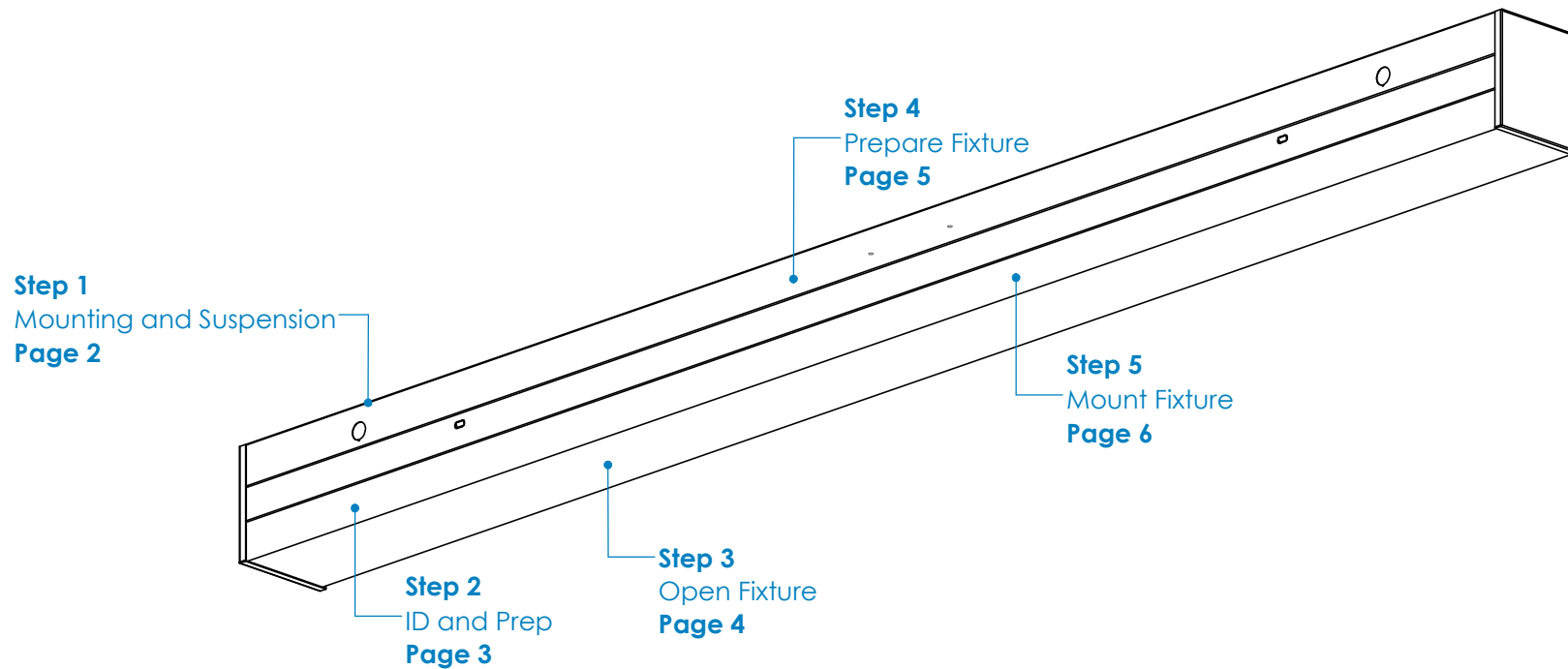


MAX4 SURFACE MOUNT Installation Instructions

Overview

WARNINGS

- This product must be installed in accordance with all applicable codes by a person familiar with the product.
- Each luminaire must be **properly supported** during install.
- **DO NOT** join fixtures on the floor prior to lifting, or damage will occur.
- **Before beginning installation**, review our complete list of warnings by visiting www.saylite.com/warnings.



MAX4 SURFACE MOUNT Installation Instructions

Step 1 - Mounting and Suspension

Mounting

Drywall or other hard surfaces* - Anchoring Screws

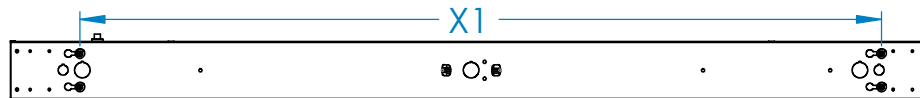
- Install anchor mounts at suspension locations.
- Ensure anchors are secure.
- Prepare fixture for mounting.

*Other hard surfaces include: wood, sheet metal panels, steel beams, concrete or masonry. Use hardware appropriate for each surface and material type.

Suspension Locations

X = Suspension Dimensions

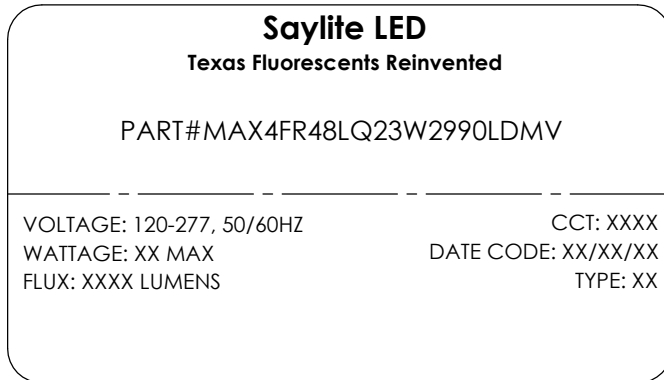
Refer to Assembly Drawings and building plans to determine exact mounting, suspension points, and power feed locations.



MAX4 SURFACE MOUNT Installation Instructions

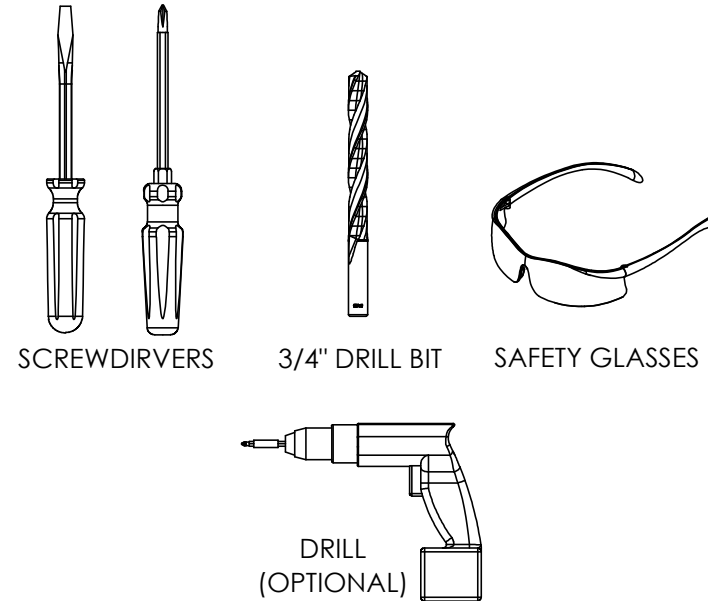
Step 2 - Identification and Preparation

A. Identify Fixtures



- Use labels found on the box and inside the fixture bodies to identify bodies.
- **NOTE:** Locations of labels can vary.
- Remove all fixtures from their boxes.
- Organize fixtures based on their labels at the install location.

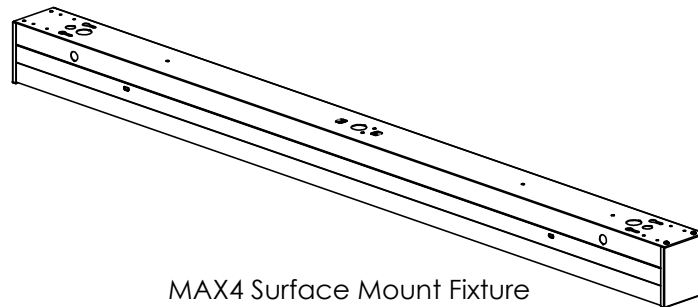
B. Tools Needed



- Always use proper safety equipment when installing fixtures.
- Tools shown are recommended for standard install. Tools needed may vary based on actual install location conditions.

Kitted Hardware

- Saylite has provided the items listed here, with their Saylite part numbers listed. These items can be found in separate boxes shipped with the fixture.
- Ensure all parts are accounted for and set them aside until needed.
- Any additional hardware needed for this installation will be provided by others.



MAX4 Surface Mount Fixture
(provided)



Mounting Anchor w/ Screw
(not provided)

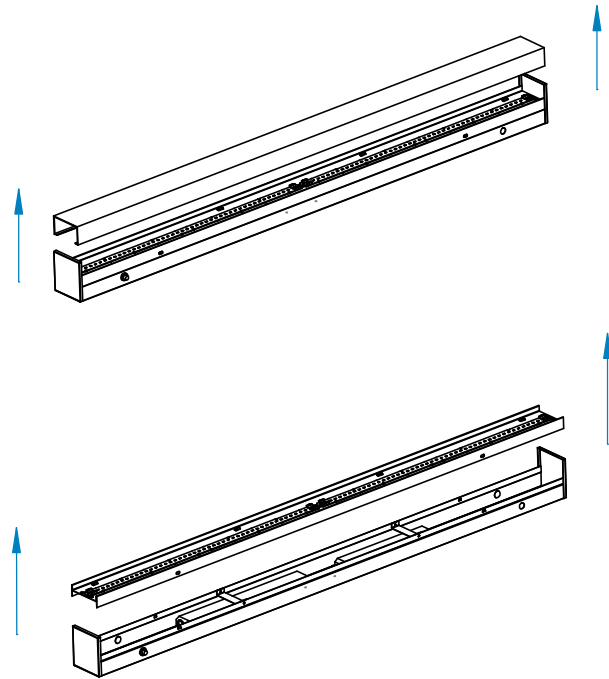
MAX4 SURFACE MOUNT Installation Instructions

Step 3 - Open the Fixture



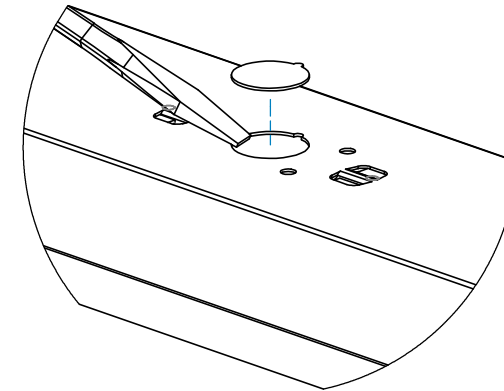
Texas Fluorescents Reinvented

A. Remove the Lens/Gear Tray

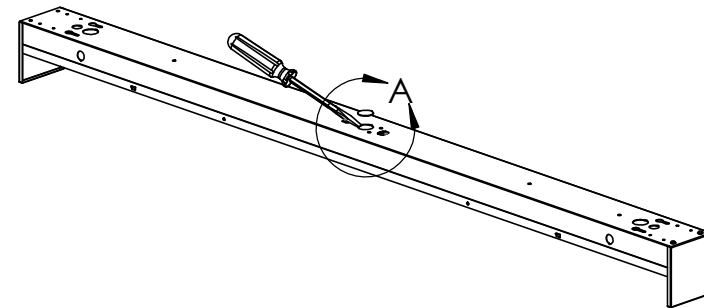


- Remove lens by gently flexing on each side until the lens pops off. Set aside for future use.
- Remove the LED gear tray as shown above and set aside in a safe place for future use.

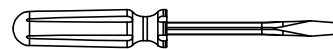
B. Remove the Knockout



DETAIL A



- Use a gentle prying motion to knock out the 7/8" knockout from desired location.



FLAT TIP SCREWDRIVER

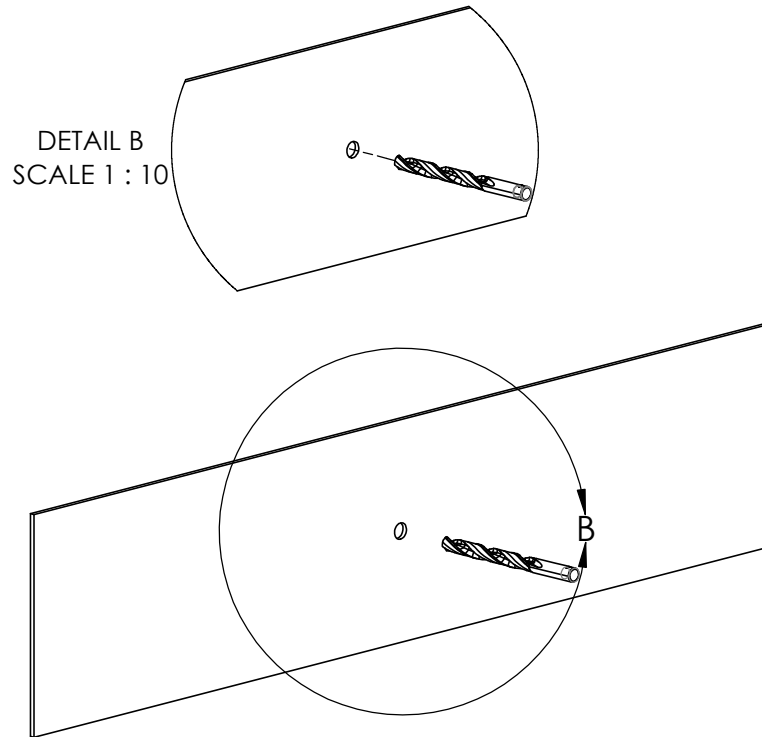
MAX4 SURFACE MOUNT Installation Instructions

Step 4 - Prepare Fixture



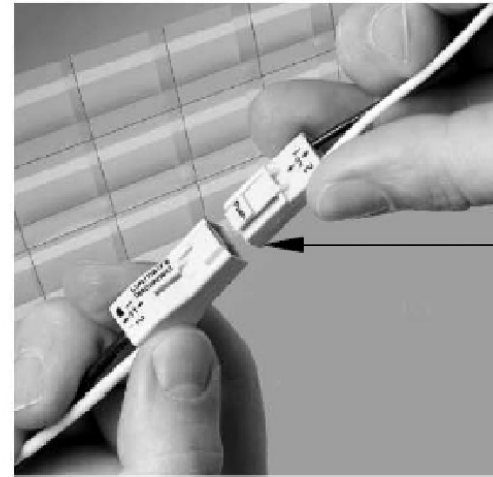
Texas Fluorescents Reinvented

A. Drill Hole



- Using a 3/4" drill bit, drill a hole to allow supply wiring to pass through.
- **Note:** Use caution when drilling as to not damage components inside the wall.

B. Connect Power



QUICK DISCONNECT

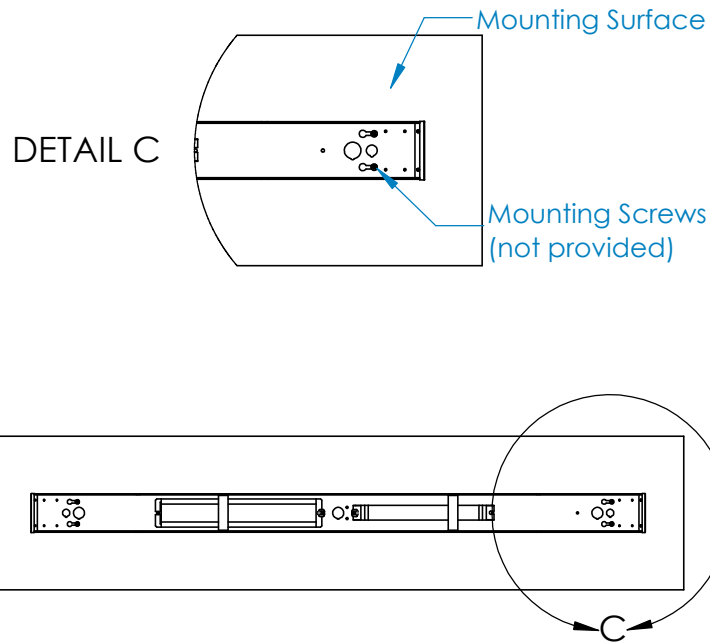
WIRING LEGEND		
BLACK	HOT	Line Voltage
WHITE	NEUTRAL	Line Voltage
GREEN	GROUND	
GRAY	DIMMING	0-10V DC
VIOLET	DIMMING	0-10V DC

- Wire the fixture to the incoming supply using the connectors as shown.
- For dimming option, refer to the wiring legend above as needed.
- **Note:** Use UL approved connectors only. Follow all local, state and national codes.

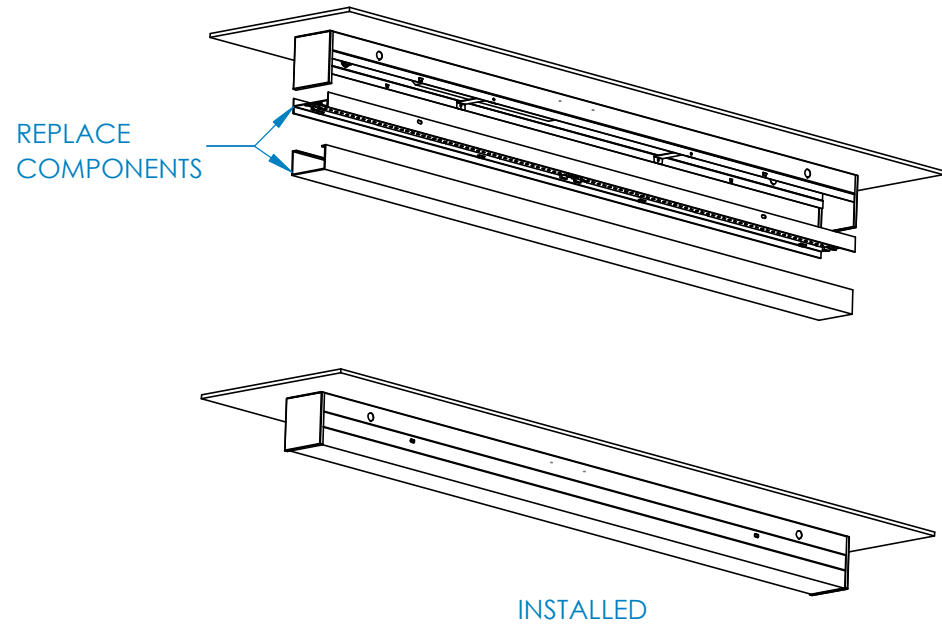
MAX4 SURFACE MOUNT Installation Instructions

Step 5 - Mount The Fixture

A. Mount The Body



B. Replace Components



- Press the fixture firmly to the ceiling.
- Secure the body to the mounting surface using anchored mounting screws (not provided).

- Install the LED gear tray and lens removed in Step 3 as shown. Ensure parts are secure.
- Installation is now complete.