

# Polygon Series

## Custom

The Polygon series offers an interesting opportunity to create a statement in your space with a hanging luminaire system. Choose from multiple standard patterns or develop your own custom pattern of L23 fixtures.

The Custom has several specially designed brackets that allow for construction of a near infinite amount of configurations. The popular L23 fixtures provide bright, white and energy efficient illumination with up and down lighting options. Revolutionize lighting in your space with an innovative and refreshing fixture.

## CONSTRUCTION

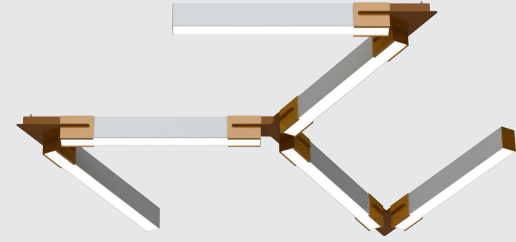
Brackets are laser cut, fabricated, and robot-welded from 14-gauge powder coated cold-rolled steel with custom colors available.

## OPTIONS

14W emergency battery backup integrated in all fixtures 4 foot long and above.

## FLAIR

Customize the color of your brackets and/or end caps to add flair to your unique hanging luminaire system. Consult factory for more information.



## INDIVIDUAL FIXTURE DIMENSIONS

24" L23: 24"L x 2"W x 3"H

48" L23: 48"L x 2"W x 3"H

72" L23: 72"L x 2"W x 3"H

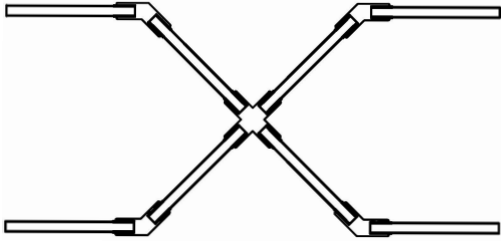
96" L23: 96"L x 2"W x 3"H

## SPECIFICATIONS

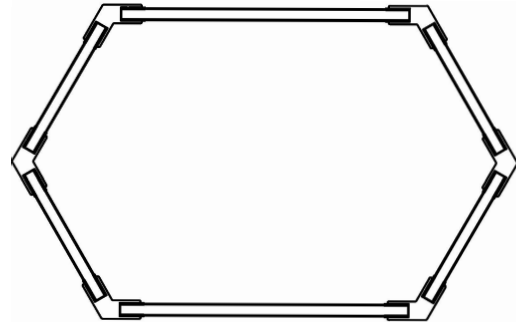
- 4 standard fixture sizes – 24", 48", 72", and 96"
- 4 standard patterns with custom patterns available
- Several bracket options, including adjustable brackets
- Customizable bracket, fixture, and end cap colors available
- Pendant mount for multiple ceiling types.
- Many lumen package / wattage options via programmable drivers
- Multiple Kelvin temperature options (3000K, 3500K, 4000K, 5000K)
- Emergency battery backup options available
- CRI >80 (90 available)
- >50,000 hrs of L70 LED life
- Rated for dry and damp locations
- 0 - 10 Volt dimmable 120-277V (120V ELV/TRIAC avail)
- Power factor >0.90
- 5 year warranty



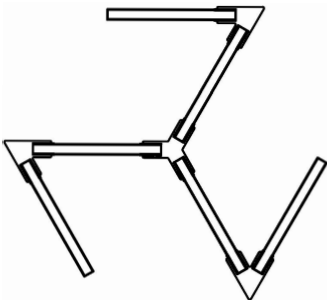
### CUSTOM PATTERNS\*



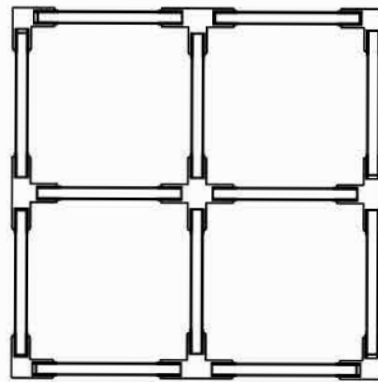
01 - Extend



02 - Expanded Hex



03 - Isle

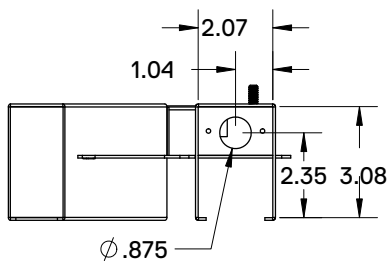
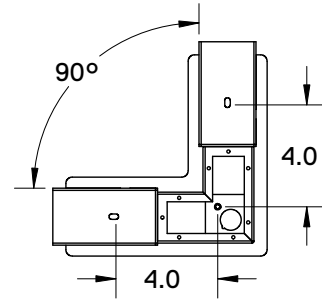
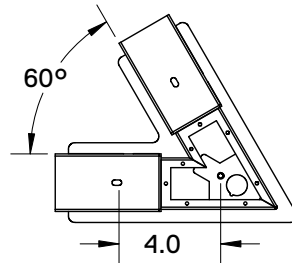
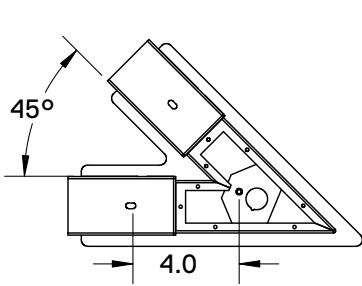


04 - Pane

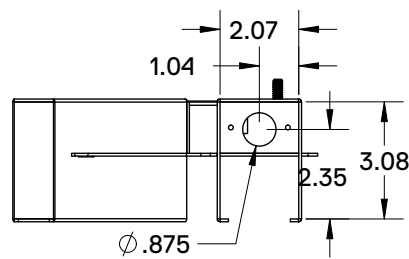
\*NOTE: These patterns represent only a handful of patterns that can be made using the PLY23 system. Contact a Saylite representative for more information about creating your unique pattern.

## BRACKET TYPES AND DIMENSIONS

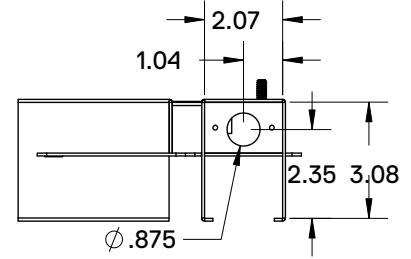
### Polygon Configurations



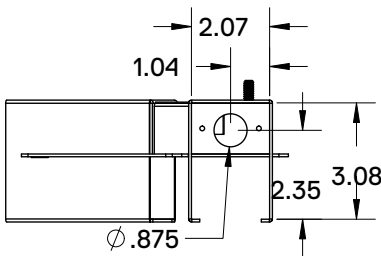
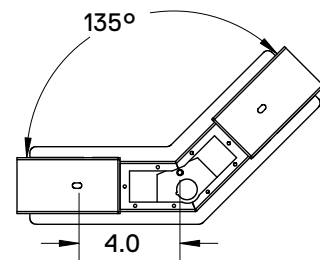
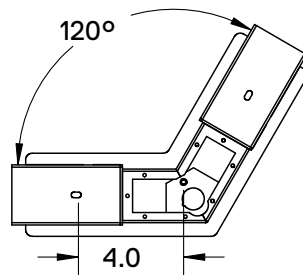
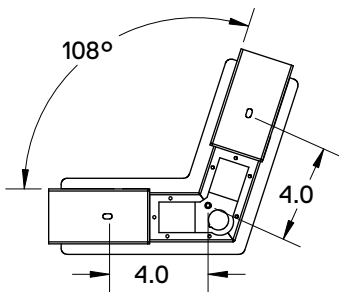
45° Bracket



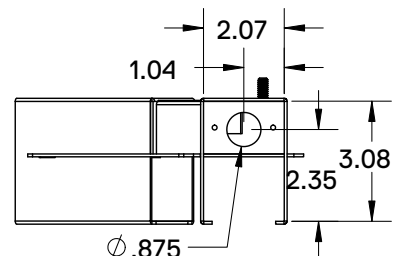
60°(TR) Bracket



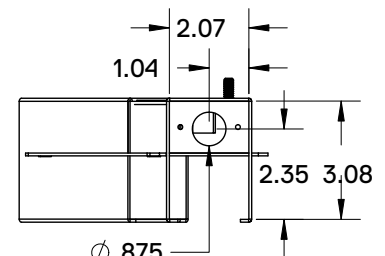
90° (SQ) Bracket



108° (PT) Bracket



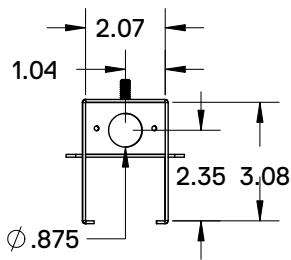
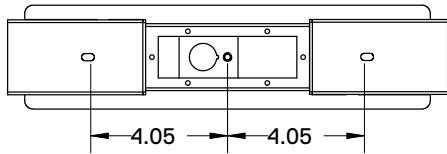
120° (HX) Bracket



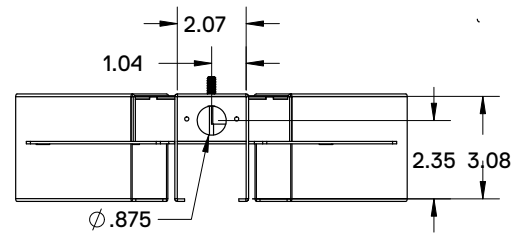
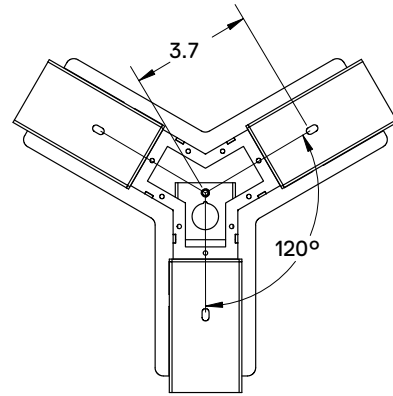
135° (OT) Bracket

## BRACKET TYPES AND DIMENSIONS

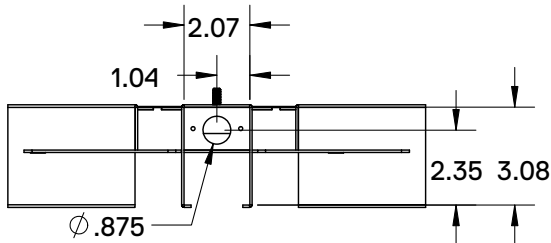
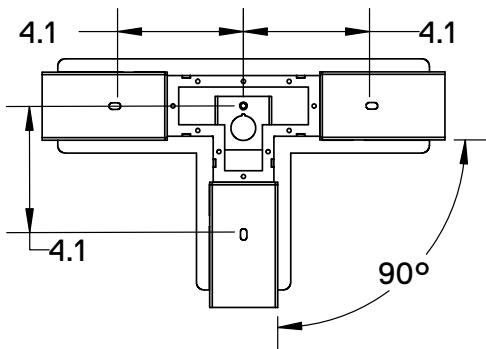
### Custom Configurations



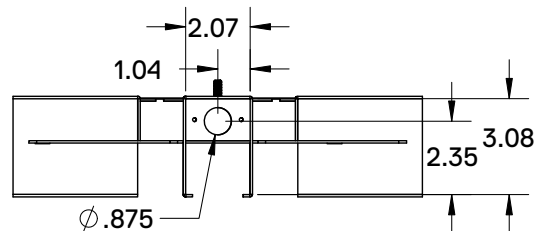
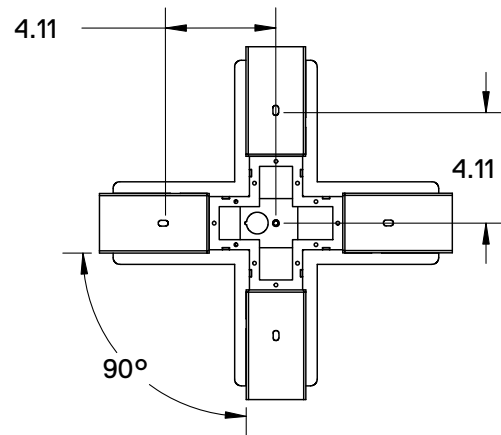
180° Bracket



120° Y Bracket



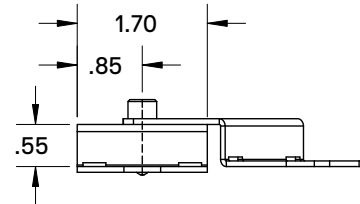
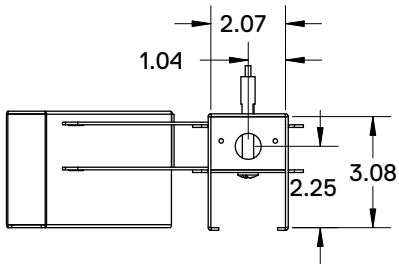
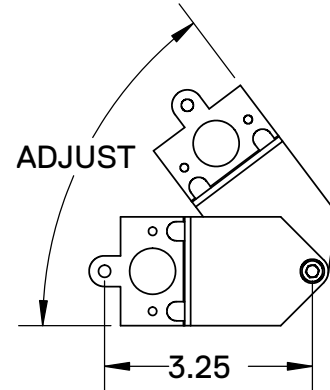
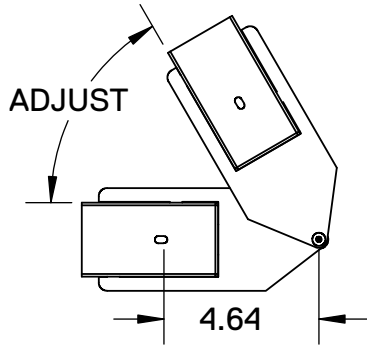
90° T Bracket



90° X Bracket

## BRACKET TYPES AND DIMENSIONS

Custom Configurations



Adjustable Bracket

Adjustable Simple  
Bracket

CATALOG#: \_\_\_\_\_  
PROJECT: \_\_\_\_\_  
TYPE: \_\_\_\_\_

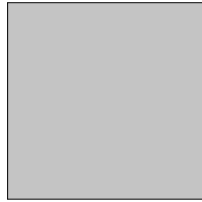
## FLAIR BRACKET COLORS AND FINISHES



Gloss Black  
(GB)



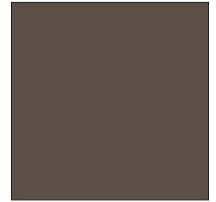
Matte Black  
(BK)



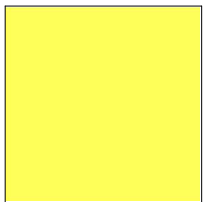
Matte Silver  
(SL)



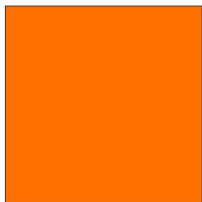
Statuary Bronze  
(BZ)



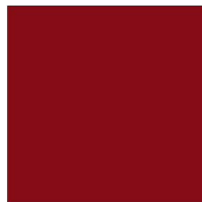
Glimmer (Iron)  
(IR)



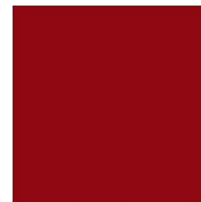
Safety Yellow  
(YL)



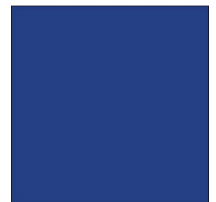
Safety Orange  
(OR)



Red  
(RD)



Fire Engine Red  
(FR)



Blue  
(BL)

**NOTE:** Factory offers any Tiger Drylac RAL finish, contact Saylite for more information. Consult factory to special order custom 'real wood' finishes.