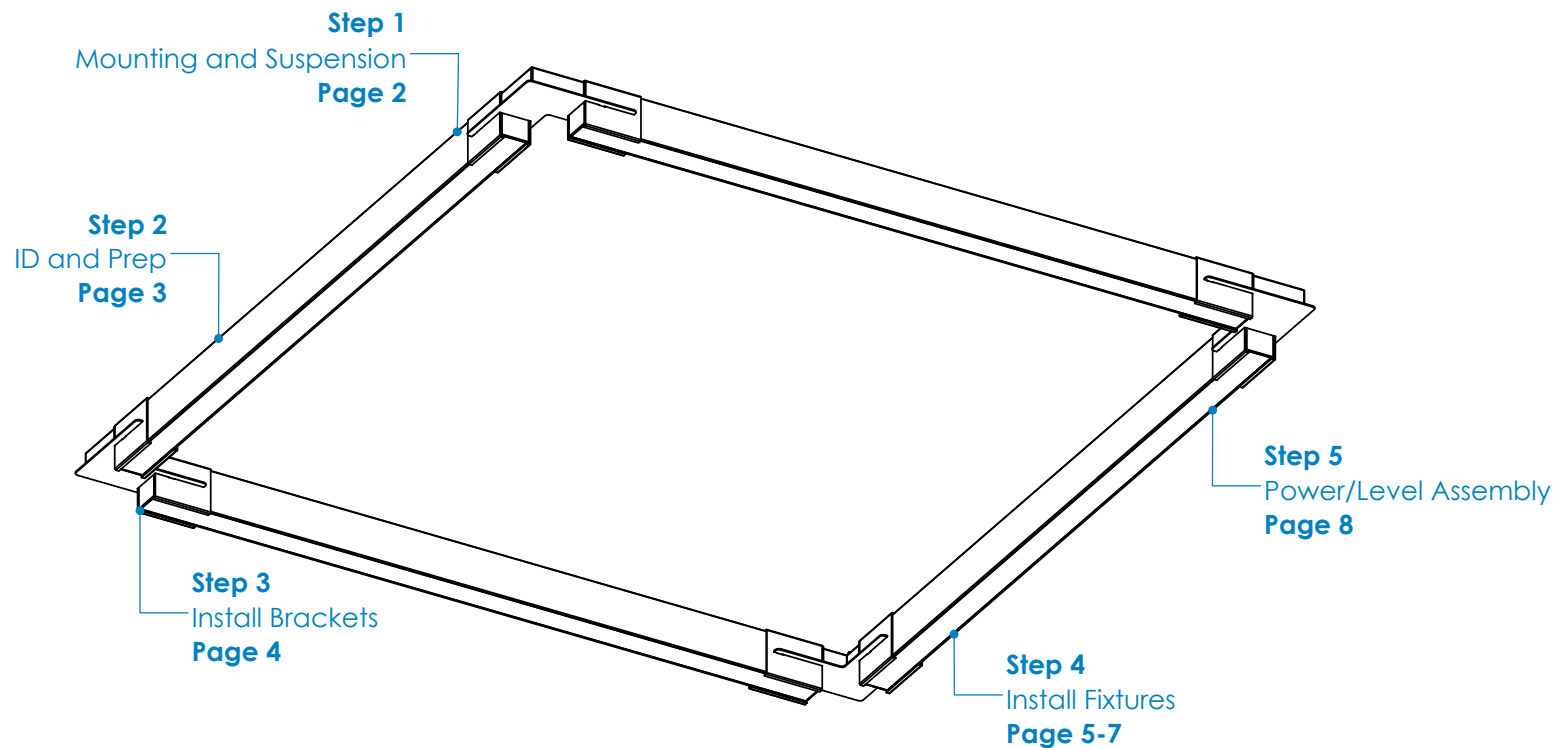


PLY23-Shapes Installation Instructions

Overview

WARNINGS

- This product must be installed in accordance with all applicable codes by a person familiar with the product.
- Each fixture must be **properly supported** during install.
- **DO NOT** join fixtures on the floor prior to lifting, or damage will occur.
- **Before beginning installation**, review our complete list of warnings by visiting www.saylite.com/warnings.



Your particular build may vary.

2020© Saylite | 2055 Luna Road, Suite 142 Carrollton, Texas 75006 | www.saylite.com

PLY23-Shapes Installation Instructions

Step 2 - Mounting and Suspension

Mounting

Drywall or other hard surfaces - HC 1012 Hanging Kit*

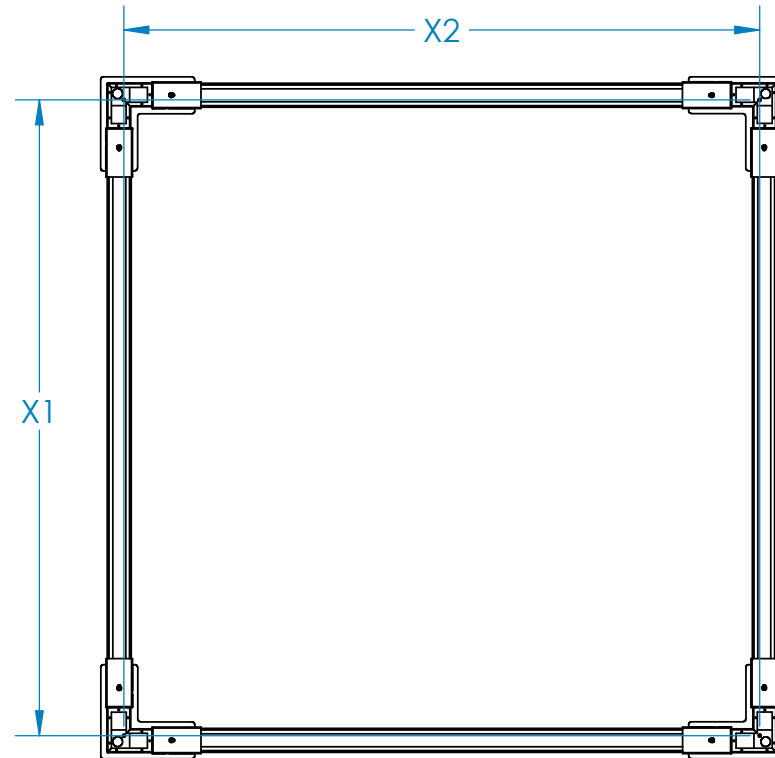
- Install hanging kits at suspension locations.
- Ensure hanging kits are secure.
- Prepare fixture for mounting.

Other hard surfaces include: wood, sheet metal panels, steel beams, concrete or masonry. Use hardware appropriate for each surface and material type.

Suspension Locations

X = Suspension Dimensions

Refer to Assembly Drawings and building plans to determine exact mounting, suspension points, and power feed locations.

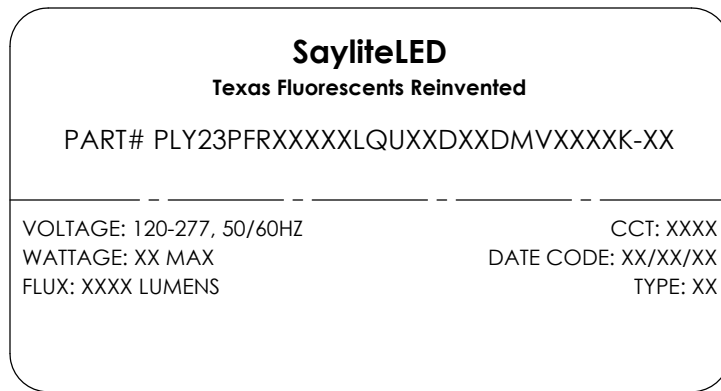


NOTE: This instruction guide covers installation of the following PLY23 configurations: TR, SQ, PT, HX, OT, Custom, Wall Wash, and Parallel. Your configuration and pattern may differ from the example configuration shown, but general installation procedure will remain the same.

PLY23-Shapes Installation Instructions

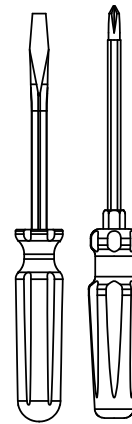
Step 3 - Identification and Preparation

A. Identify Fixtures



- Use labels found on the box and inside the fixture bodies to identify bodies.
- **NOTE:** Locations of labels can vary.
- Remove all fixtures from their boxes.
- Organize fixtures based on their labels at the install location.

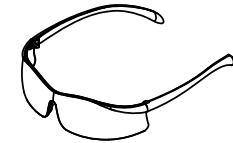
B. Tools Needed



Screwdrivers



Pliers



Safety Glasses

- Always use proper safety equipment when installing fixtures.
- Tools shown are recommended for standard install. Tools needed may vary based on actual install location conditions.

Kitted Hardware

- Saylite has provided the items listed here, with their Saylite part numbers listed. These items can be found in separate boxes shipped with the fixture.
- Ensure all parts are accounted for and set them aside until needed.
- Any additional hardware needed for this installation will be provided by others.

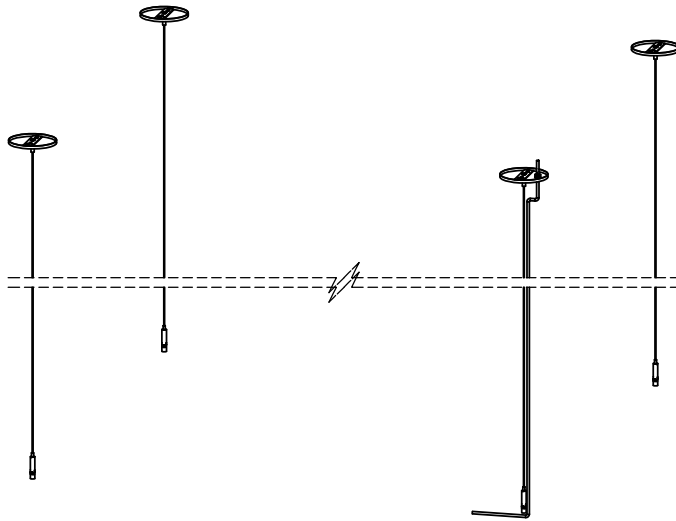


M5-0.8X25 mm Screws
QTY: 2x per fixture in assembly

PLY23-Shapes Installation Instructions

Step 3 - Install the Brackets

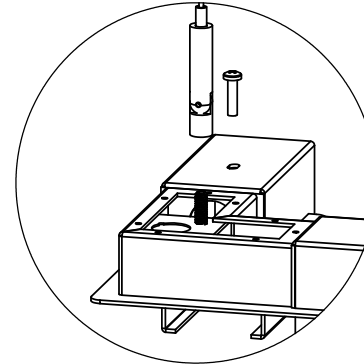
A. Install Hanging Kits



- Install the hanging kits to the ceiling at desired mounting locations.
- Ensure hanging kits are properly secured.
- Refer to hanging kit installation guide for more information.

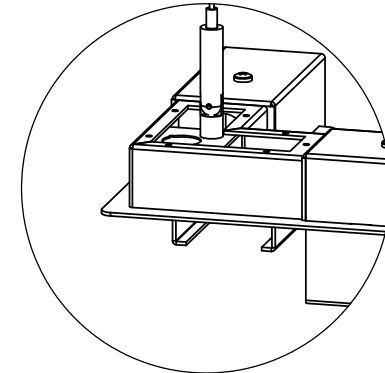
B. Attach Brackets

THREAD ONTO STUD



DETAIL A
SCALE 1 : 4

ATTACHED



DETAIL B
SCALE 1 : 4

- Attach the PLY23 brackets to the hanging cable swivels by threading the swivels onto the bracket studs.
- Use pliers to tighten swivel 1/4 turn.

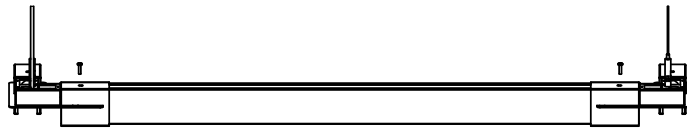
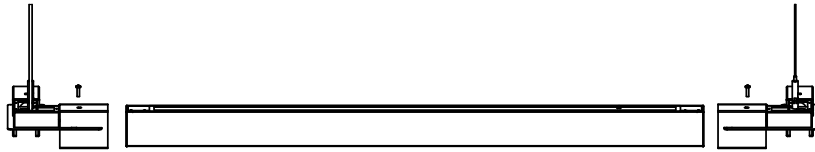
PLY23-Shapes Installation Instructions

Step 4 - Install the Fixtures



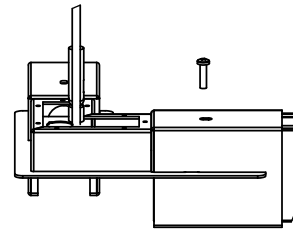
Texas Fluorescents Reinvented

A. Insert to Brackets

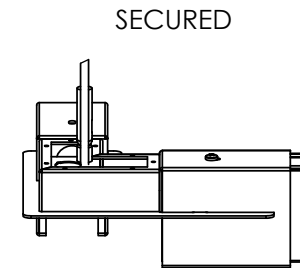


- Insert the first fixture to the hanging brackets one end at a time.
- Slide the fixture back into the bracket until it stops.
- Be sure to pull any needed wiring or fixture connectors thru the inner hole of the brackets.

B. Secure to Brackets



DETAIL A
SCALE 1 : 6



SECURED

DETAIL B
SCALE 1 : 6

- Once the fixture has been inserted into the brackets, use the provided M5-0.8 x 25 machine screws to secure the fixture to the brackets.
- Use a Philip's head screwdriver to tighten the screws and ensure the fixture is secure.

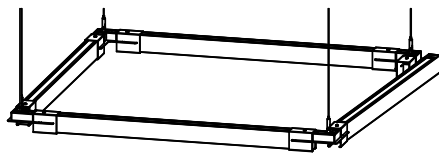
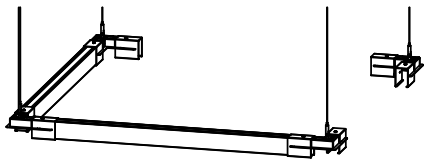
PLY23-Shapes Installation Instructions

Step 4 - Install the Fixtures (Cont'd)



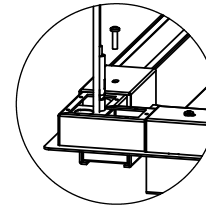
Texas Fluorescents Reinvented

A. Insert Joiner Fixture(s)

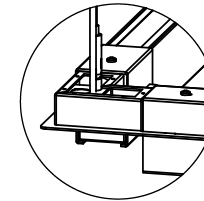


- Insert the next fixture to the hanging brackets one end at a time.
- Slide the fixture back into the bracket until it stops.
- Be sure to pull any needed wiring or fixture connectors thru the inner hole of the brackets.

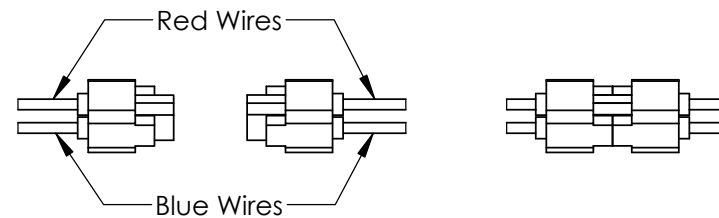
B. Secure Fixture(s) and Join Connectors



DETAIL A
SCALE 1 : 8



DETAIL B
SCALE 1 : 8

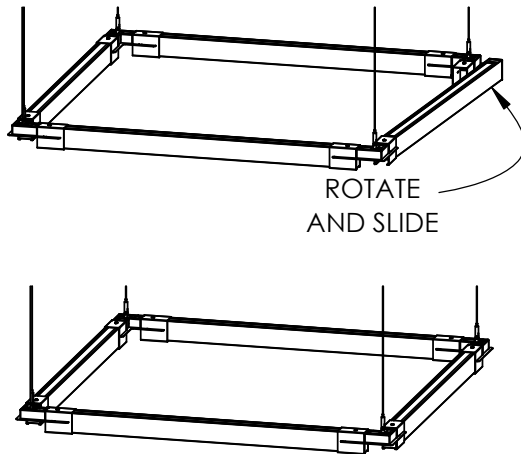


- Join the connectors between adjacent fixtures by pressing the connectors together until a 'click' is heard.
- Ensure the connectors are aligned with the red wire connecting to red wire and the blue wire connecting to blue wire.
- Depending on upright and downlight options, two sets of connectors may need to be joined.

PLY23-Shapes Installation Instructions

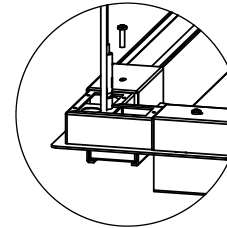
Step 4 - Install the Fixtures (Cont'd)

A. Insert Final Fixture*

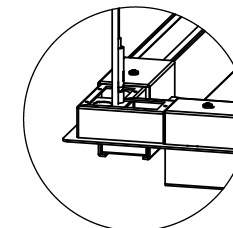


- *NOTE: This applies to closed shape configurations such as TR, SQ, PT, HX, OT, and some custom patterns. Gently flex the assembly outward, then rotate and slide the final fixture into place. This may require loosening the screws securing other fixtures.
- For all other configurations, slide the fixture into the bracket until it stops.
- Be sure to pull any needed wiring or fixture connectors thru the inner hole of the brackets.

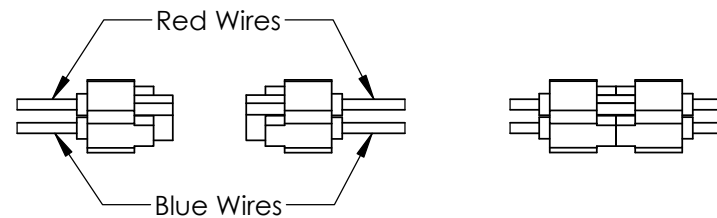
B. Secure Fixture and Join Connectors



DETAIL A
SCALE 1 : 8



DETAIL B
SCALE 1 : 8

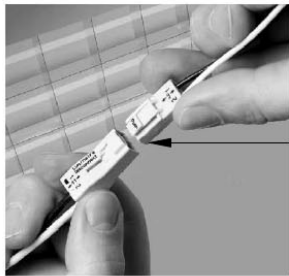
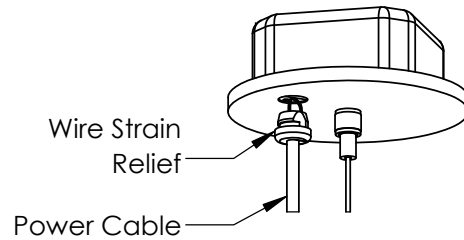


- Join the connectors between adjacent fixtures by bypassing the connectors together until a 'click' is heard.
- Ensure the connectors are aligned with the red wire connecting to red wire and the blue wire connecting to blue wire.
- Depending on uplight and downlight options, two sets of connectors may need to be joined.

PLY23-Shapes Installation Instructions

Step 5 - Power and Level the Assembly

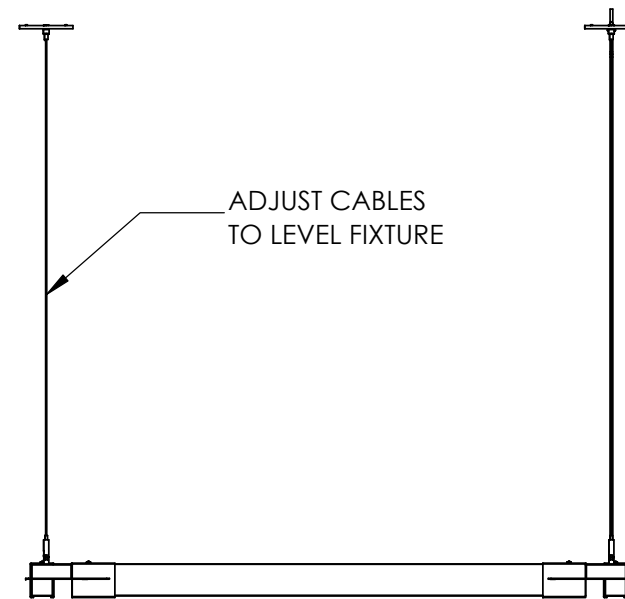
A. Wire the Assembly



WIRING LEGEND		
BLACK	HOT	Line Voltage
WHITE	NEUTRAL	Line Voltage
GREEN	GROUND	
GRAY	DIMMING	0-10V DC
VIOLET	DIMMING	0-10V DC

- Wire fixtures to the incoming power supply using the provided quick disconnect clip as shown. For dimming option, refer to wiring legend above.
- Use UL approved connectors only. Follow all local, state and national codes.
- After connecting the fixture wiring, secure the power cable to the canopy.
- Insert the power cable into the wire strain relief, and push the wire strain relief into the canopy until it clicks into place.

B. Level the Assembly



- Make final adjustments of cables, ensuring fixture is level.
- Fixture install is now complete.