

CATALOG# : \_\_\_\_\_

PROJECT : \_\_\_\_\_

TYPE : \_\_\_\_\_

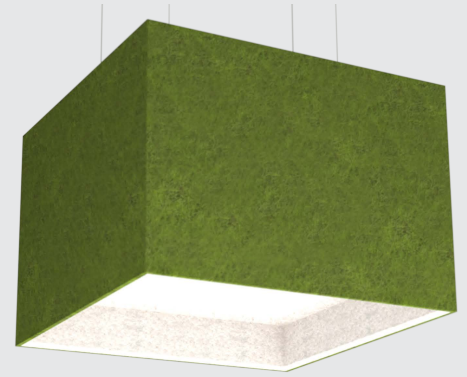
# SABD Series

## Square Acoustic Box Drum LED

Invigorate your space with an SABD Series fixture that perfectly fuses high performance LED lighting and superior quality acoustic materials. The simple design of the SABD Series creates a bold definition that adds an aura of class and style to any space. The contemporary fashion of the Square Acoustic Box Drum is complimented by optimized efficiency and a range of customization. Choose from over thirty colors of acoustic material to personalize each fixture in your space. The SABD Series works well in lobbies, offices, and other high traffic areas, and can be pendant mounted from most ceiling types using aircraft cables.

### CONSTRUCTION

Acoustic material is 100% PET containing at least 55% recycled content. Class B fire rating and moisture resistant.



### FIXTURE DIMENSIONS

25X25: 25"W x 25"L x 12"H

50X50: 50"W x 50"W x 12"H

### SPECIFICATIONS

- 30+ acoustic material color options available
- 6' pendant mount hanging kit accommodates most ceiling types
- ASTM E84 Class A or B Flammability Rating
- CRI >80
- >50,000 hrs of L70 LED life
- 0-10 Volt dimmable 120-277V
- Power factor >0.90
- 5 year warranty

CATALOG#: \_\_\_\_\_

PROJECT: \_\_\_\_\_

TYPE: \_\_\_\_\_

# SABD Series

Square Acoustic Box  
Drum LED

## ORDERING GUIDE

Factory at your fingertips. Fill in the blanks to create your part number or create a custom configuration.

Sample Part Number: SABD-P-25X25-L-D30-DMV-MCT-A22

SERIES	MOUNTING	WIDTH X LENGTH		GEAR	WATTAGE		DRIVER	CCT	
SABD	P Pendant	25X25	25"W x 25"L	L	D30	Defaulted 30 Watts 3300 Lumens 20 Watts 2200 Lumens 30 Watts 3300 Lumens (default) 40 Watts 4400 Lumens	DMV 0-10V Dimming	MCT	Multiple Color Temperature 3500K, 4000K, 5000K on a 3-Positions switch
		50X50	50"W x 50"L	LP	D85	85 Watts 8000 Lumens		30K	3000K
								35K	3500K
								40K	4000K
								50K	5000K

FLAIR <sup>1</sup>	MATERIAL CLASS	
A44 Ivory	Blank	Class B
A36 Berry	A	Class A
A22 Yellow		

Note:

1. Personalize your fixture by choosing the acoustic material color from the color guide on the following page.

\*Programmable LED drivers allow custom configured wattages and corresponding lumens.

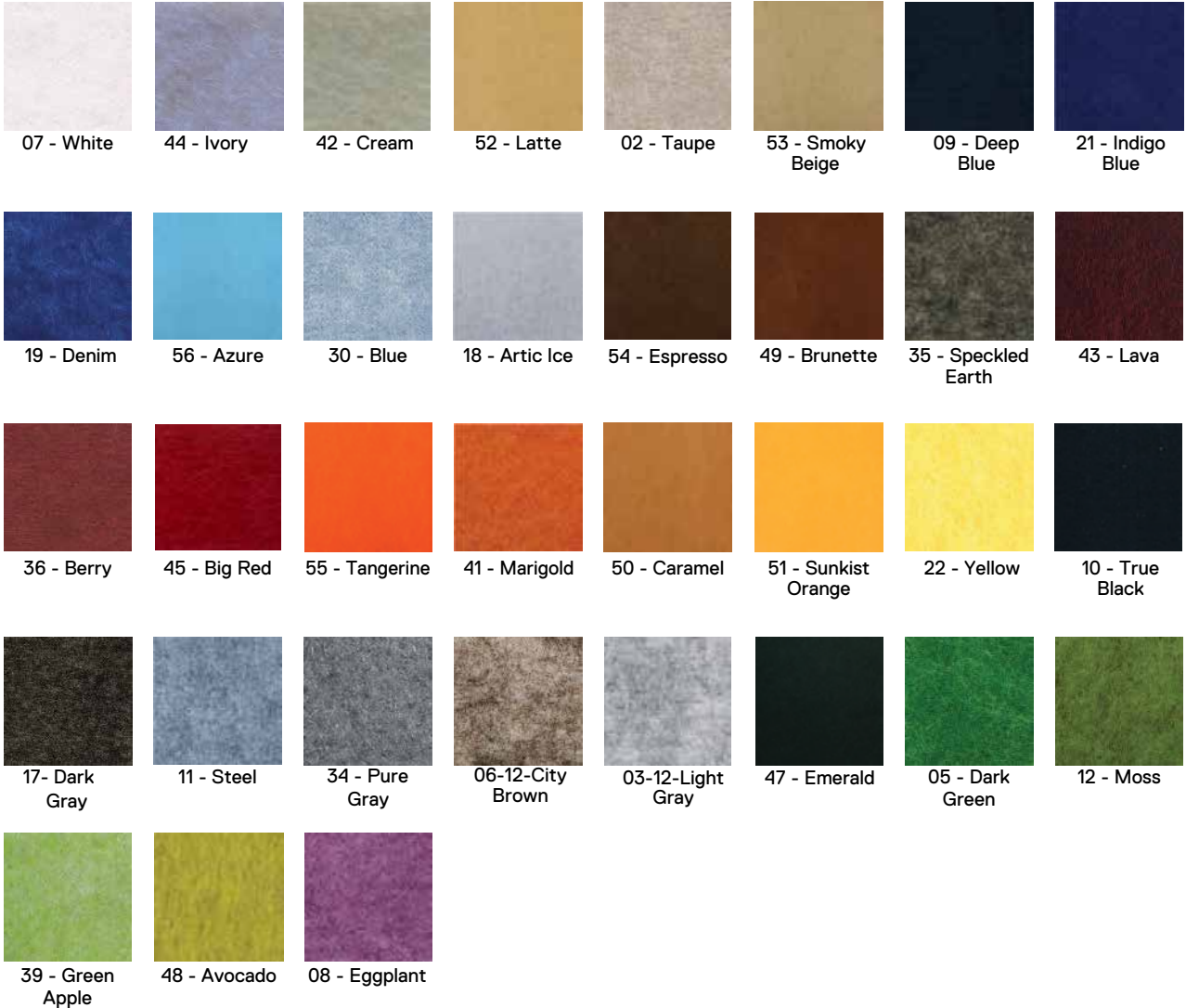
We reserve the right to change design, materials, LED's and finish in any way that will not alter installed appearance or reduce function and performance.

CATALOG#: \_\_\_\_\_

PROJECT: \_\_\_\_\_

TYPE: \_\_\_\_\_

## ACOUSTIC MATERIAL COLOR OPTIONS



CATALOG#: \_\_\_\_\_  
 PROJECT: \_\_\_\_\_  
 TYPE: \_\_\_\_\_

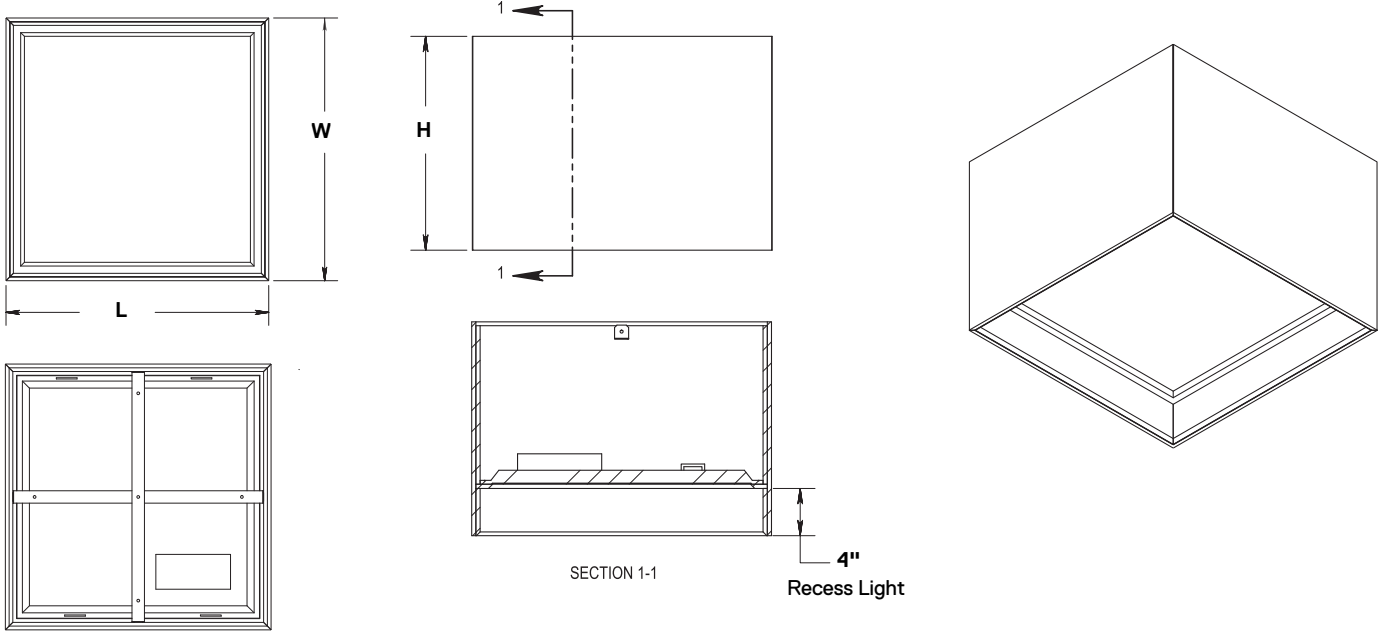
# SABD Series

Square Acoustic Box  
 Drum LED

## PRODUCT DIMENSIONS

Sample Part Number	W	L	H
SABD25X25	25 in.	25 in.	12 in.
SABD50X50	50 in.	50 in.	12 in.

### SABD25X25



### SABD50X50

