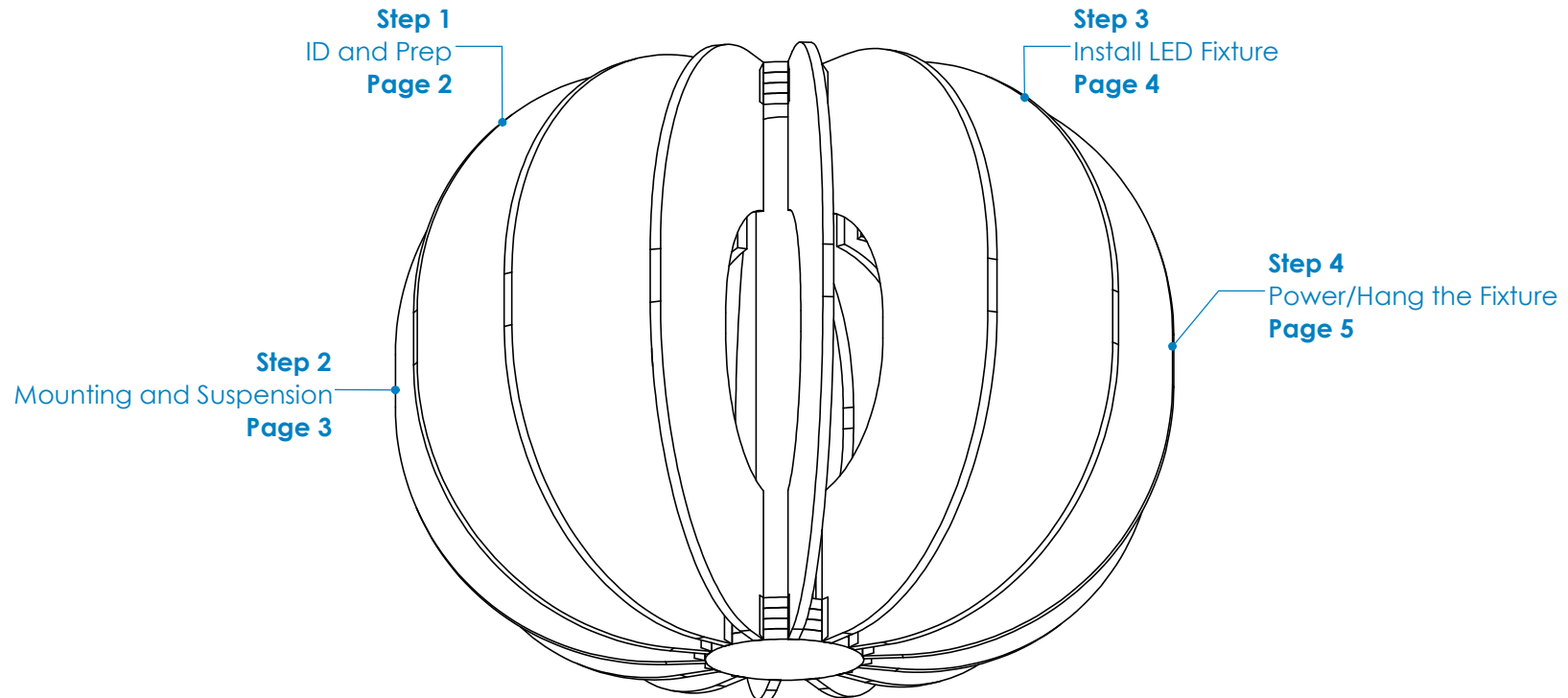


SAP Installation Instructions

Overview

WARNINGS

- This product must be installed in accordance with all applicable codes by a person familiar with the product.
- Each fixture must be **properly supported** during install.
- **DO NOT** join fixtures on the floor prior to lifting, or damage will occur.
- **Before beginning installation**, review our complete list of warnings by visiting www.saylite.com/warnings.



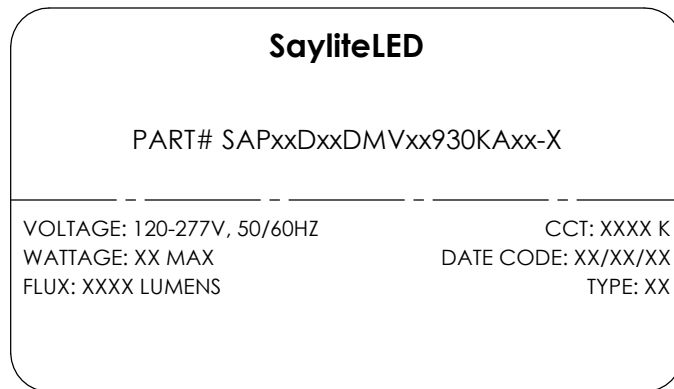
Your particular build may vary.

2020© Saylite | 2055 Luna Road, Suite 142 Carrollton, Texas 75006 | www.saylite.com

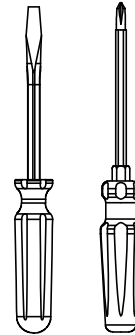
SAP Installation Instructions

Step 1 - Identification and Preparation

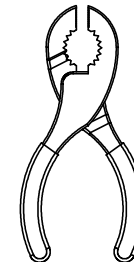
A. Identify Fixtures



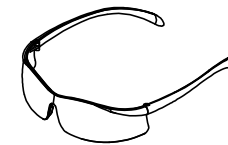
B. Tools Needed



Screwdrivers



Pliers



Safety Glasses

- Use labels found on the box and inside the fixture bodies to identify bodies.
- **NOTE:** Locations of labels can vary.
- Remove all fixtures from their boxes.
- Organize fixtures based on their labels at the install location.

- Always use proper safety equipment when installing fixtures.
- Tools shown are recommended for standard install. Tools needed may vary based on actual install location conditions.

Kitted Hardware

- Saylite has provided the items listed here, with their Saylite part numbers listed. These items can be found in separate boxes shipped with the fixture.
- Ensure all parts are accounted for and set them aside until needed.
- Any additional hardware needed for this installation will be provided by others.

SAP Installation Instructions

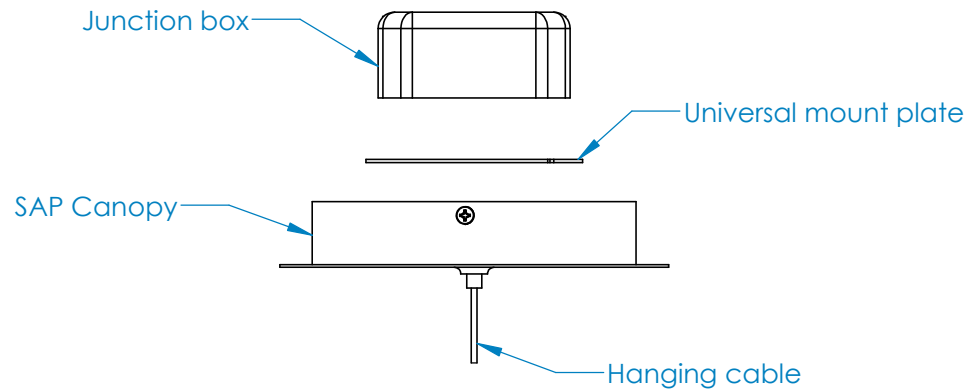
Step 2 - Mounting and Suspension

Mounting

Drywall or other hard surfaces - SAP Hanging Kit

- Install junction box at suspension location.
- Ensure junction box is secure.
- Prepare fixture for mounting.

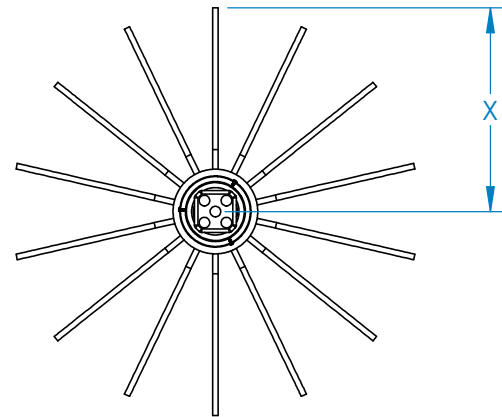
Other hard surfaces include: wood, sheet metal panels, steel beams, concrete or masonry. Use hardware appropriate for each surface and material type.



Suspension Locations

X = Suspension Dimensions

Refer to Assembly Drawings and building plans to determine exact mounting, suspension points, and power feed locations.



SAP Installation Instructions

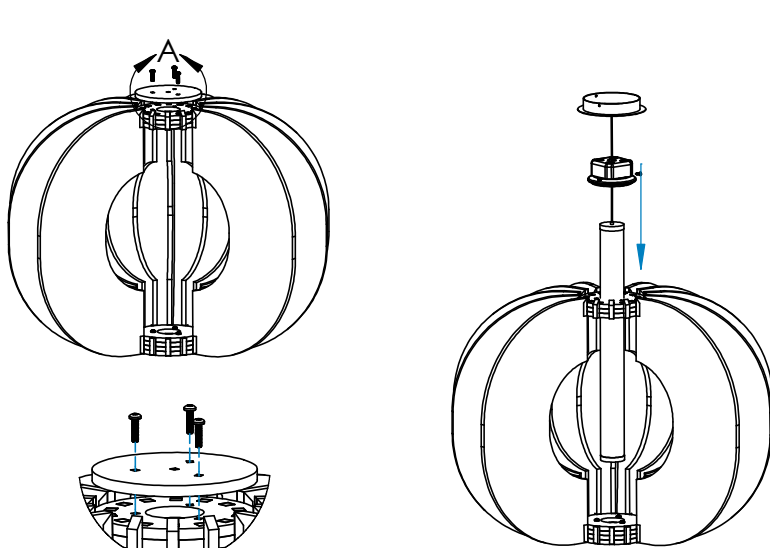
Step 3 - Install the LED Fixture



Texas Fluorescents Reinvented

A. Insert Fixture

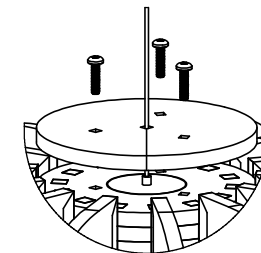
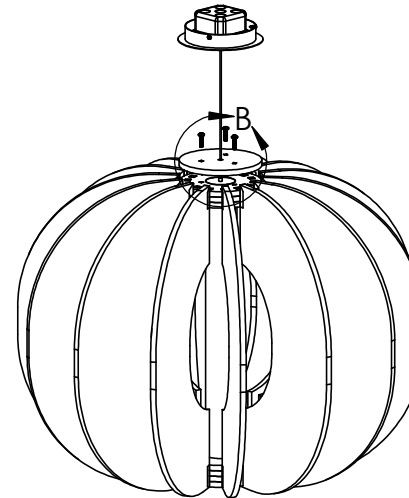
Some Acoustic Fins Removed for Clarity



DETAIL A
SCALE 1 : 8

- Remove the 3 screws from the top hub assembly of the fixture and pull the top layer acoustic disk.
- Insert the LED fixture to the acoustic material assembly and slide the fixture down until it stops at the bottom hub assembly.

B. Secure Top Hub Assembly



DETAIL B
SCALE 1 : 6

- Once the fixture is installed to the acoustic material assembly, replace the top layer acoustic disk.
- Use the screws removed in the previous sub-step to secure the top hub assembly.

SAP Installation Instructions

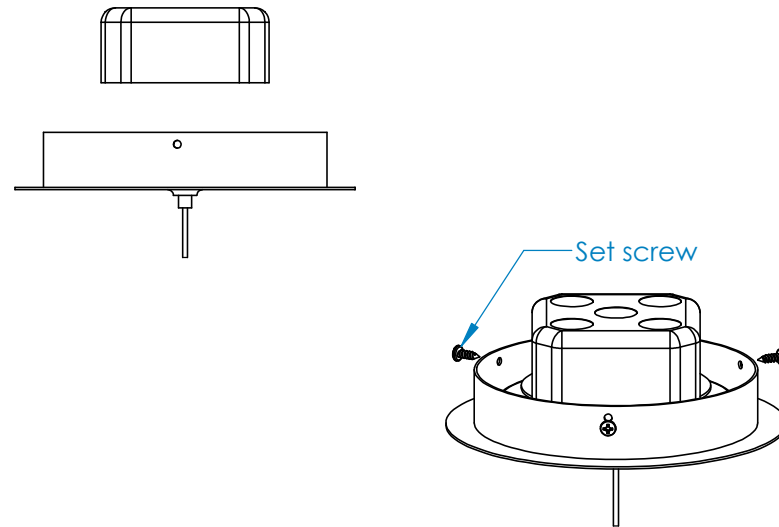
Step 4 - Hang and Power Fixture

A. Connect Fixture Wiring

WIRING LEGEND		
BLACK	HOT	Line Voltage
WHITE	NEUTRAL	Line Voltage
GREEN	GROUND	
GRAY	DIMMING	0-10V DC
VIOLET	DIMMING	0-10V DC

- Wire fixtures to the incoming power supply.
- For dimming option, refer to wiring legend above.
- Use UL approved connectors only. Follow all local, state and national codes.

B. Hang the Fixture



- Install the junction box at desired location.
- Hang the fixture by attaching the universal mount plate to the junction box.
- The provided set screws must be installed above the universal mount plate, this will help hold the fixture in place.