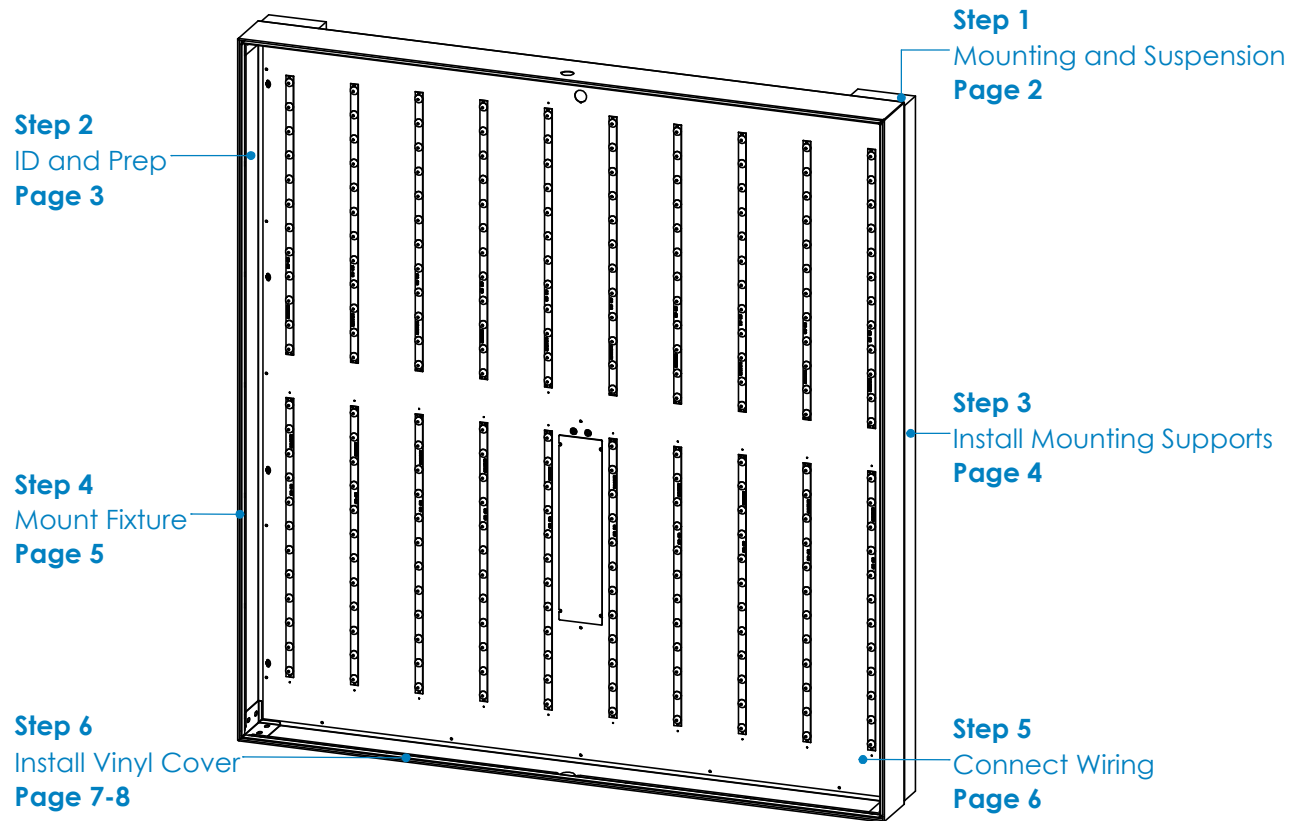


SHADOWBOX Installation Instructions

Overview

WARNINGS

- This product must be installed in accordance with all applicable codes by a person familiar with the product.
- Each luminaire must be **properly supported** during install.
- **DO NOT** join fixtures on the floor prior to lifting, or damage will occur.
- **Before beginning installation**, review our complete list of warnings by visiting www.saylite.com/warnings.



Your particular build may vary.

2020© Saylite | 2055 Luna Road, Suite 142 Carrollton, Texas 75006 | www.saylite.com

SHADOWBOX Installation Instructions

Step 1 - Mounting and Suspension

Mounting Options

Drywall or other hard surfaces* - Anchoring Screws

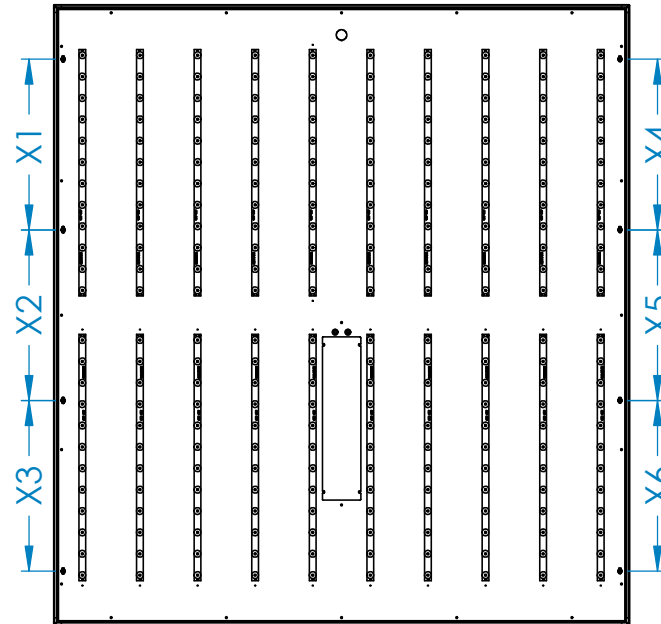
- Install anchor mounts at suspension locations.
- Ensure anchors are secure.
- Prepare fixture for mounting.

*Other hard surfaces include: wood, sheet metal panels, steel beams, concrete or masonry. Use hardware appropriate for each surface and material type.

Suspension Locations

X = Suspension Dimensions

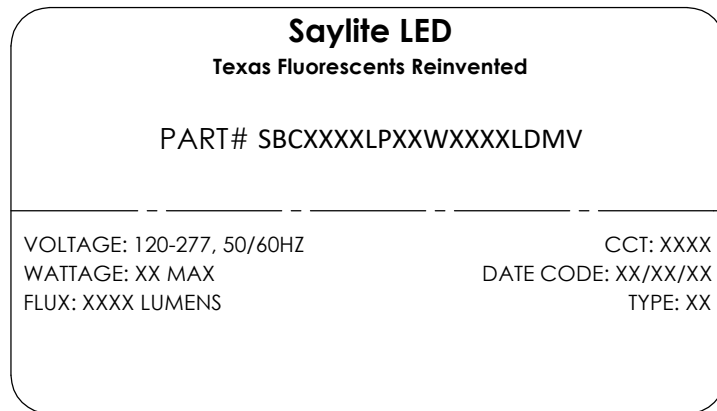
Refer to Assembly Drawings and building plans to determine exact mounting, suspension points, and power feed locations.



SHADOWBOX Installation Instructions

Step 2 - Identification and Preparation

A. Identify Fixtures

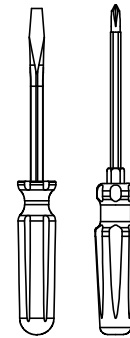


- Use labels found on the box and inside the fixture bodies to identify bodies.
- **NOTE:** Locations of labels can vary.
- Remove all fixtures from their boxes.
- Organize fixtures based on their labels at the install location.

Kitted Hardware

- Saylite has provided the items listed here, with their Saylite part numbers listed. These items can be found in separate boxes shipped with the fixture.
- Ensure all parts are accounted for and set them aside until needed.
- Any additional hardware needed for this installation will be provided by others.

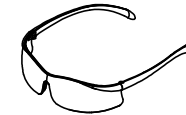
B. Tools Needed



Screwdrivers



Pliers

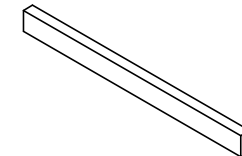


Safety Glasses

- Always use proper safety equipment when installing fixtures.
- Tools shown are recommended for standard install. Tools needed may vary based on actual install location conditions.



Mounting Anchor
(not provided)



2X4 STUD
(not provided)

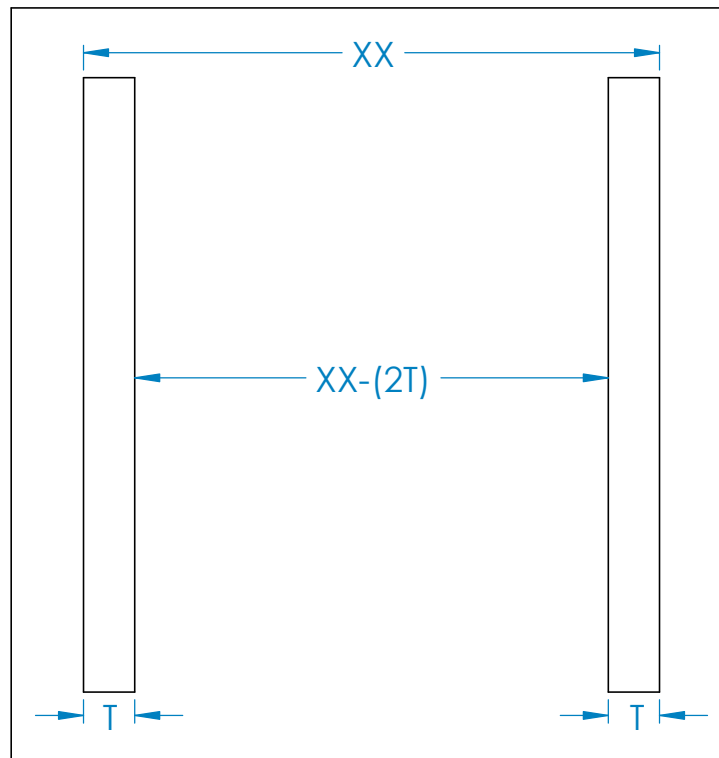
SHADOWBOX Installation Instructions

Step 3 - Install Mounting Supports*

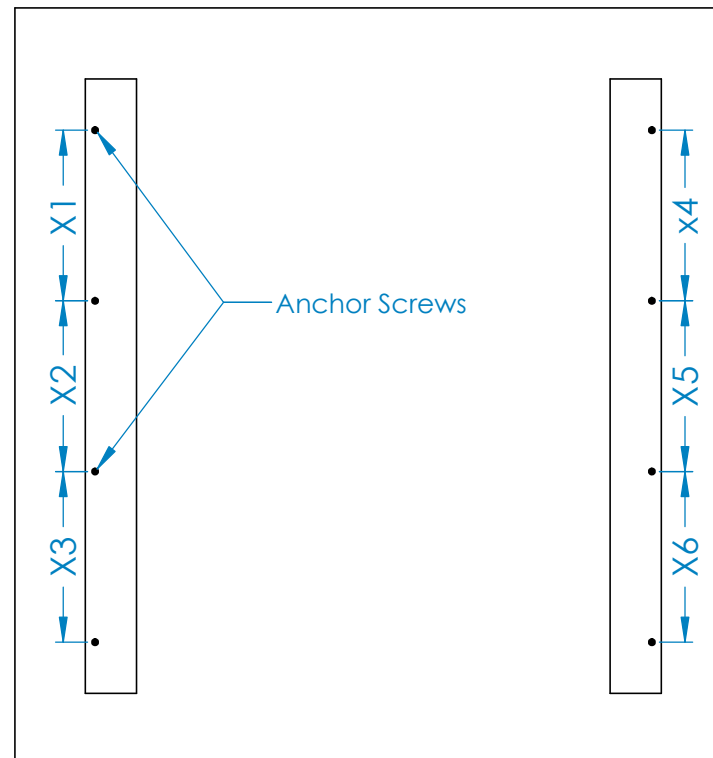


Texas Fluorescents Reinvented

A. Install Spacing Boards



B. Install Anchor Screws



- Install two boards that are minimum 2" thick and use appropriate hardware to attach the boards to a wall.
- Ensure that the boards are appropriately spaced; dimension 'XX' will vary depending on the specific Shadowbox fixture being installed.

- Install screw anchors at mounting locations, which will vary according to the specific fixture model.

***NOTE:** If mounting fixture directly on the wall, ensure a recessed area for the driver cover box of the fixture is available.

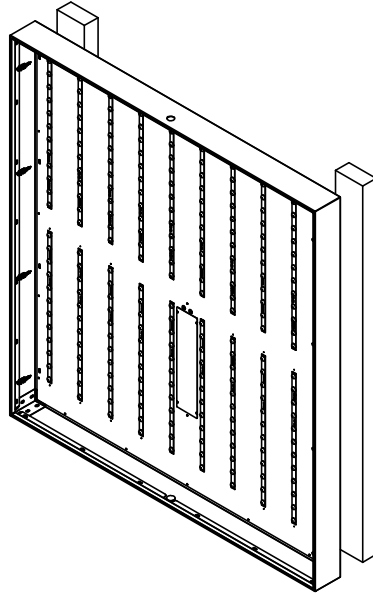
SHADOWBOX Installation Instructions

Step 4 - Mount Fixture



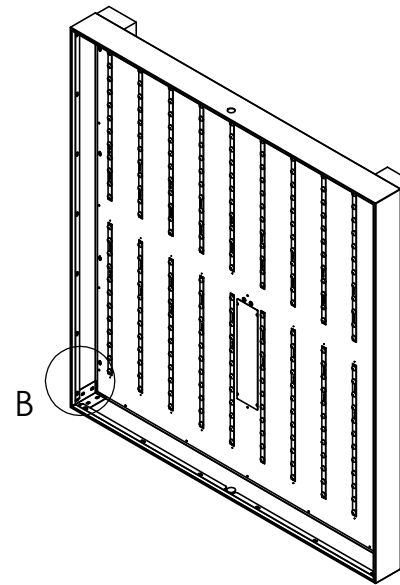
Texas Fluorescents Reinvented

A. First Sub-step

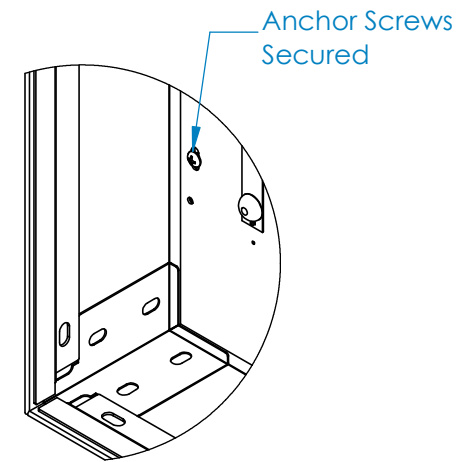


- Align fixture with mounting screw anchors, and place on mounting spacer boards. If mounting without spacers place fixture on wall.

B. Second Sub-step



B



Anchor Screws Secured

DETAIL B
Anchor Screw Secured

- Once fixture is aligned with mounting screw anchors, secure the fixture to mounting surface using mounting screws.

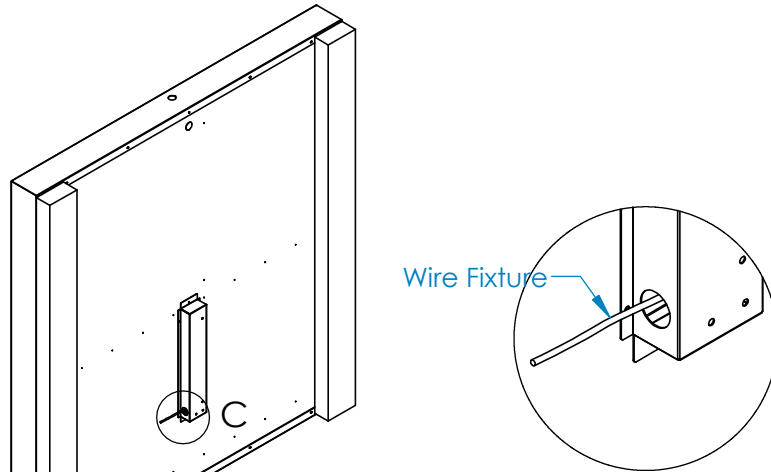
SHADOWBOX Installation Instructions

Step 5 - Power or Wire The Fixture



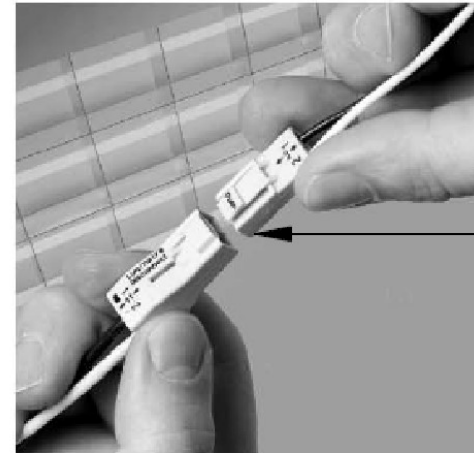
Texas Fluorescents Reinvented

A. Expose Fixture Wiring



- Gently pull wire out from driver cover box on back of fixture.

B. Wire Fixture



WIRING LEGEND		
BLACK	HOT	Line Voltage
WHITE	NEUTRAL	Line Voltage
GREEN	GROUND	
GRAY	DIMMING	0-10V DC
VIOLET	DIMMING	0-10V DC

- Wire each fixture to the incoming power supply using the provided quick disconnect clip as shown.*
- For dimming option, refer to wiring legend above.
- Use UL approved connectors only. Follow all local, state and national codes. Repeat for all remaining fixtures.

***NOTE:** Most Shadowbox fixtures come with a standard 3 prong plug pre-installed. This plug can be used to power fixture, wiring fixture to incoming power supply is another option for powering the fixture.

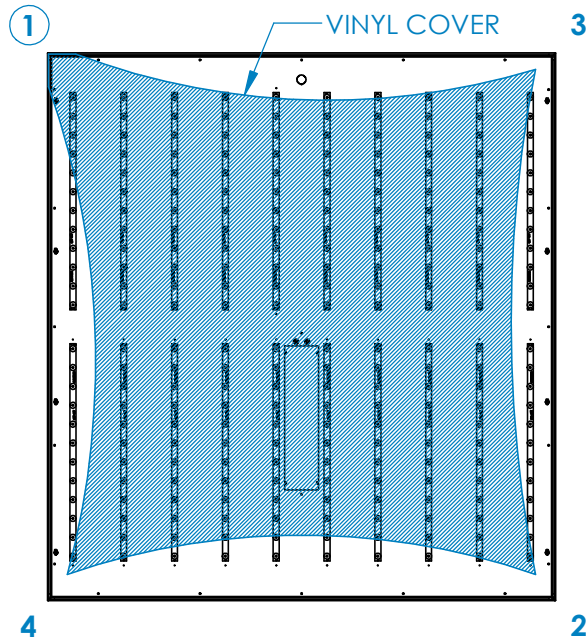
SHADOWBOX Installation Instructions

Step 6 - Install The Vinyl Cover



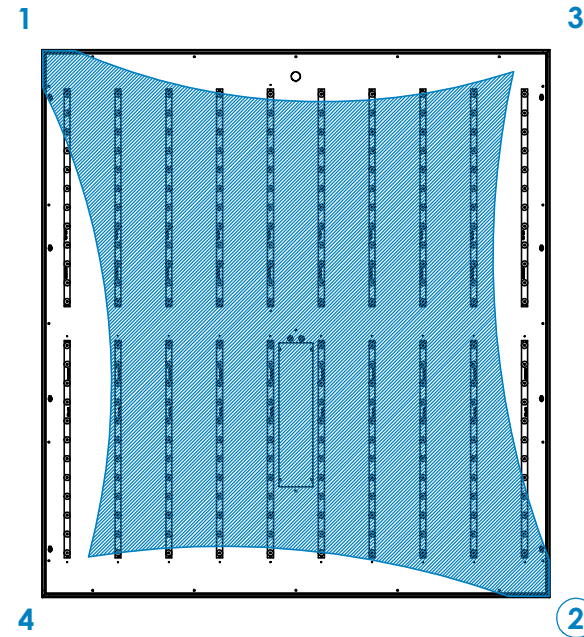
Texas Fluorescents Reinvented

A. Insert First Corner of Vinyl



- Insert the vinyl cover into corner 1 shown in the above diagram by tucking the cover edge into the small gap along the edge of the fixture.
- Insert approximately 3-6" of the cover in both directions going away from the corner.

B. Insert Second Corner of Vinyl

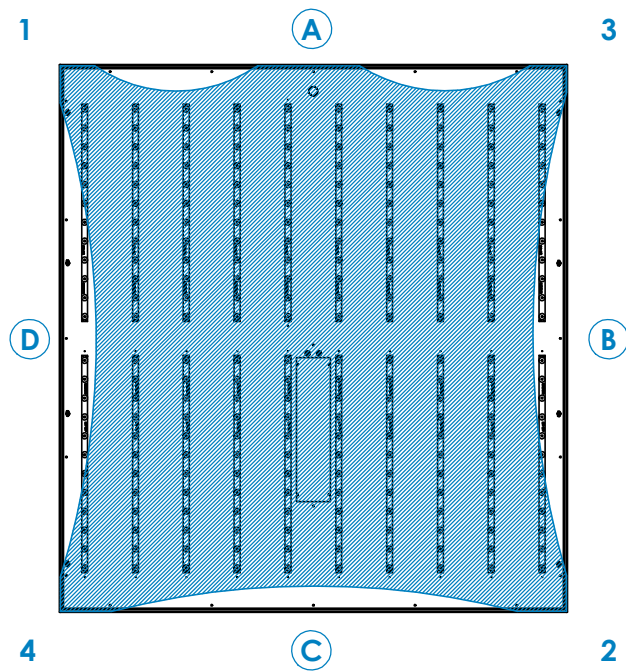


- Insert the vinyl cover into corner 2 as shown in the above diagram by tucking the cover edge into the small gap along the edge of the fixture.
- Insert approximately 3-6" of the cover in both directions going away from the corner.
- Repeat these steps for corners 3 and 4 before continuing to the next page

SHADOWBOX Installation Instructions

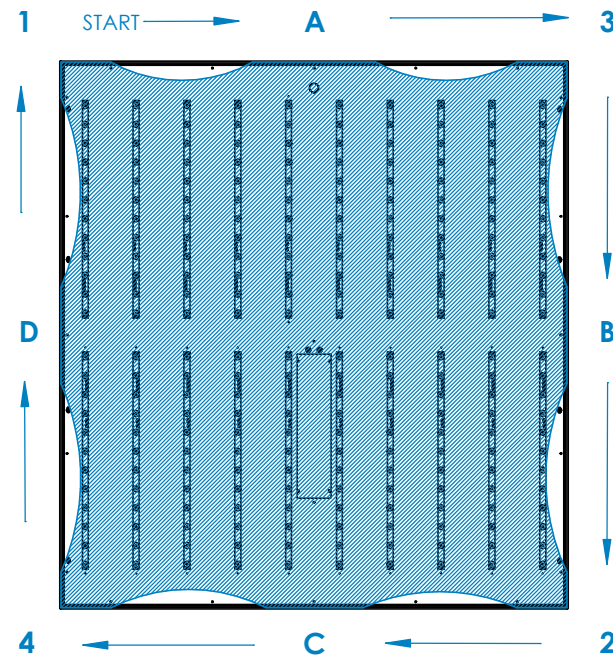
Step 6 - Install The Vinyl Cover (Cont'd)

A. Install Sections A Thru D of Vinyl Cover



- Insert section A of the vinyl cover into the shadowbox frame by tucking the cover edge into the small gap along the edge of the fixture.
- Repeat in a clockwise fashion, continuing to sections B through D.

B. Install Remaining Sections of Vinyl Cover



- Starting at the remaining untucked section between corner 1 and section A, insert the vinyl cover into the shadowbox frame.
- Repeat in a clockwise fashion, following the arrows in the above diagram until the vinyl cover is fully installed.
- Fixture installation is now complete.