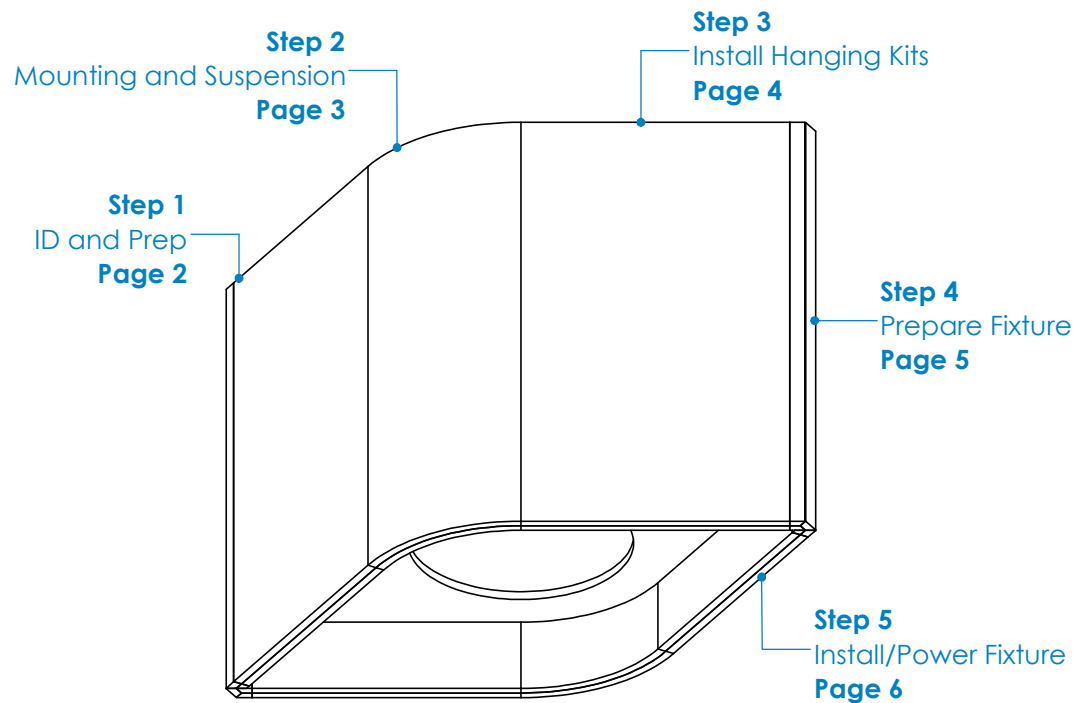


TAD Installation Instructions

Overview

WARNINGS

- This product must be installed in accordance with all applicable codes by a person familiar with the product.
- Each fixture must be **properly supported** during install.
- **DO NOT** join fixtures on the floor prior to lifting, or damage will occur.
- **Before beginning installation**, review our complete list of warnings by visiting www.saylite.com/warnings.



Your particular build may vary.

2020© Saylite | 2055 Luna Road, Suite 142 Carrollton, Texas 75006 | www.saylite.com

TAD Installation Instructions

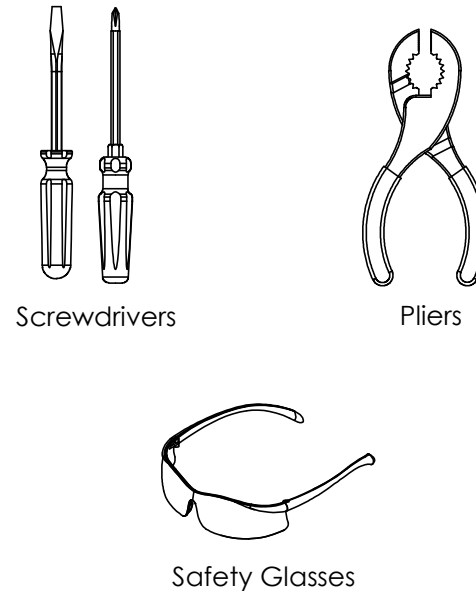
Step 1 - Identification and Preparation

A. Identify Fixtures

SayliteLED	
PART# TADxxxxXxxLDxxD120xxKxxAxx	
VOLTAGE: 120-277V, 50/60HZ	CCT: XXXX K
WATTAGE: XX MAX	DATE CODE: XX/XX/XX
FLUX: XXXX LUMENS	TYPE: XX

- Use labels found on the box and inside the fixture bodies to identify bodies.
- **NOTE:** Locations of labels can vary.
- Remove all fixtures from their boxes.
- Organize fixtures based on their labels at the install location.

B. Tools Needed



- Always use proper safety equipment when installing fixtures.
- Tools shown are recommended for standard install. Tools needed may vary based on actual install location conditions.

Kitted Hardware

- Saylite has provided the items listed here, with their Saylite part numbers listed. These items can be found in separate boxes shipped with the fixture.
- Ensure all parts are accounted for and set them aside until needed.
- Any additional hardware needed for this installation will be provided by others.

TAD Installation Instructions

Step 2 - Mounting and Suspension

Mounting

Drywall or other hard surfaces - HC 605 Hanging Kit*

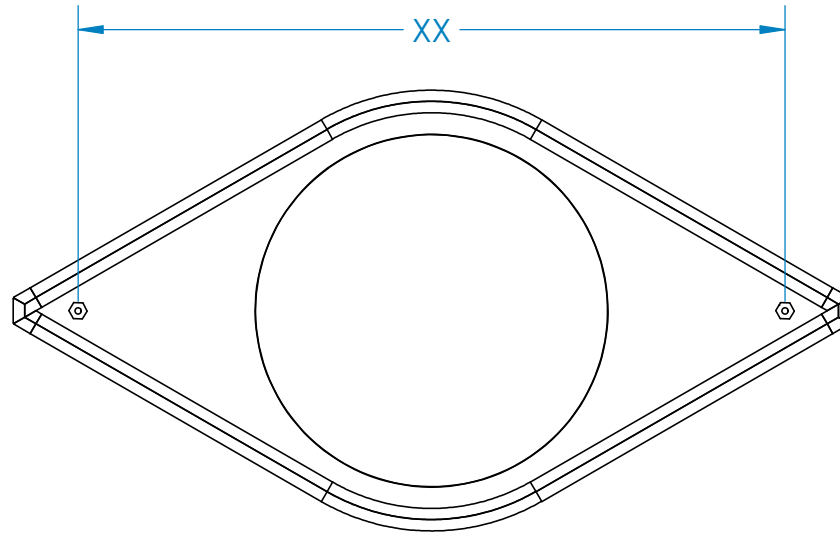
- Install hanging kits at suspension locations.
- Ensure hanging kits are secure.
- Prepare fixture for mounting.

Other hard surfaces include: wood, sheet metal panels, steel beams, concrete or masonry. Use hardware appropriate for each surface and material type.

Suspension Locations

X = Suspension Dimensions

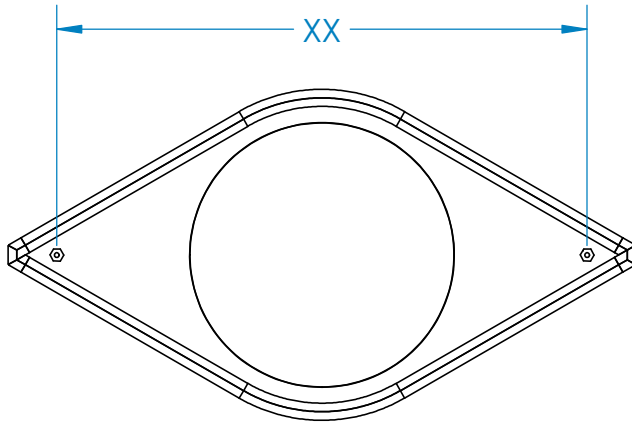
Refer to Assembly Drawings and building plans to determine exact mounting, suspension points, and power feed locations.



TAD Installation Instructions

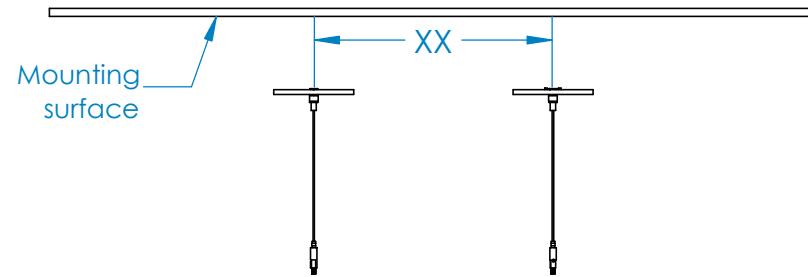
Step 3 - Install Hanging Kits

A. Transfer Measurements



- Note the distance between hanging kit attachment points on the acoustic material.
- Transfer the measurement to the desired mounting location.

B. Install Hanging Kits

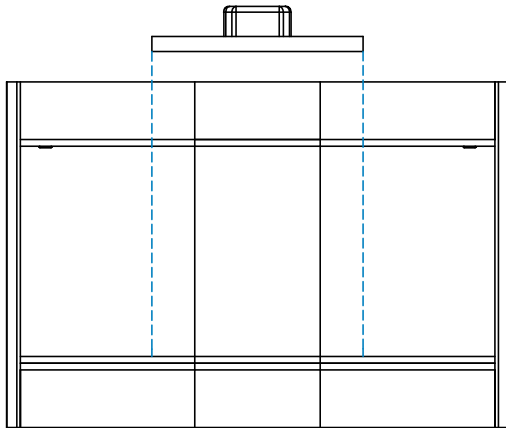


- Prepare the desired mounting location for hanging kit installation.
- Install the hanging kits to the ceiling at the desired mounting locations.
- Ensure that hanging kits are properly secured.
- Refer to hanging kit installation guide for more information.

TAD Installation Instructions

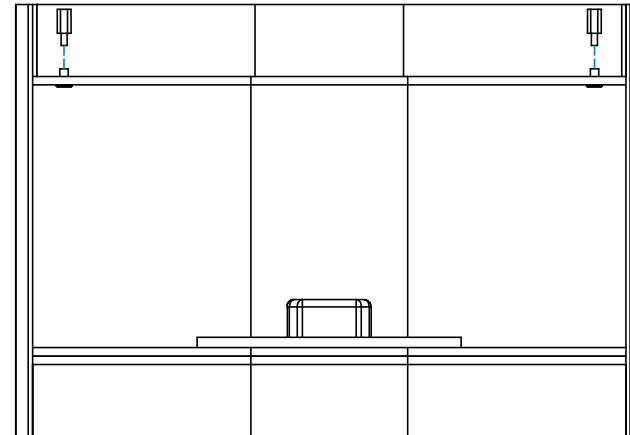
Step 4 - Prepare Fixture for Installation

A. Lay In LED Fixture



- Lay the LED fixture into the acoustic structure, ensuring the lens is facing down.
- The outer flange of the fixture should rest on the inner support of the acoustic structure.

B. Install Couplers

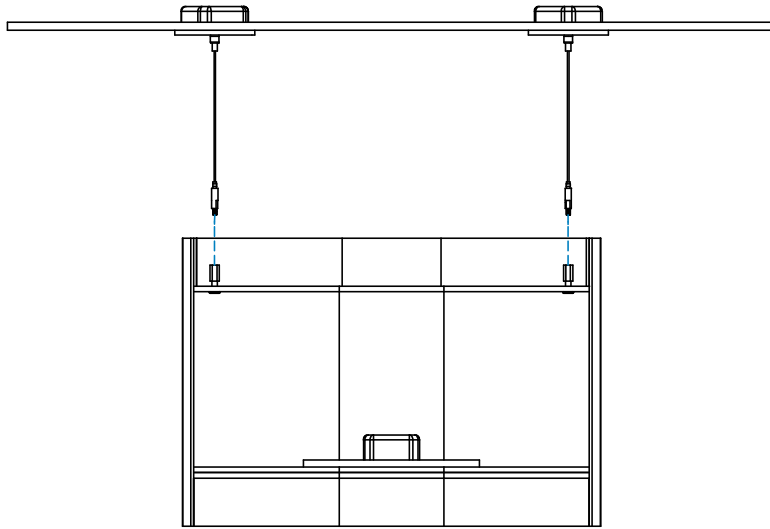


- Install the hanging kit adaptors to the threaded T nuts in the acoustic fixture.

TAD Installation Instructions

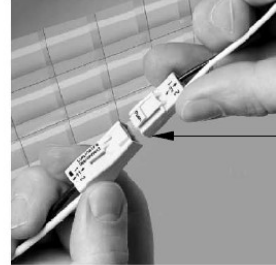
Step 5 - Install and Power the Fixture

A. Hang the Fixture



- Hang the fixture by inserting the threaded end of the hanging cables into the adaptors.
- Tighten the threaded ends 1/4 turn using a pair of pliers or equivalent.

B. Power the Fixture



WIRING LEGEND		
BLACK	HOT	Line Voltage
WHITE	NEUTRAL	Line Voltage
GREEN	GROUND	
GRAY	DIMMING	0-10V DC
VIOLET	DIMMING	0-10V DC

- Wire fixtures to the incoming power supply using the provided quick disconnect clip as shown.
- For dimming option, refer to wiring legend above.
- Use UL approved connectors only. Follow all local, state and national codes.
- Installation is now complete.