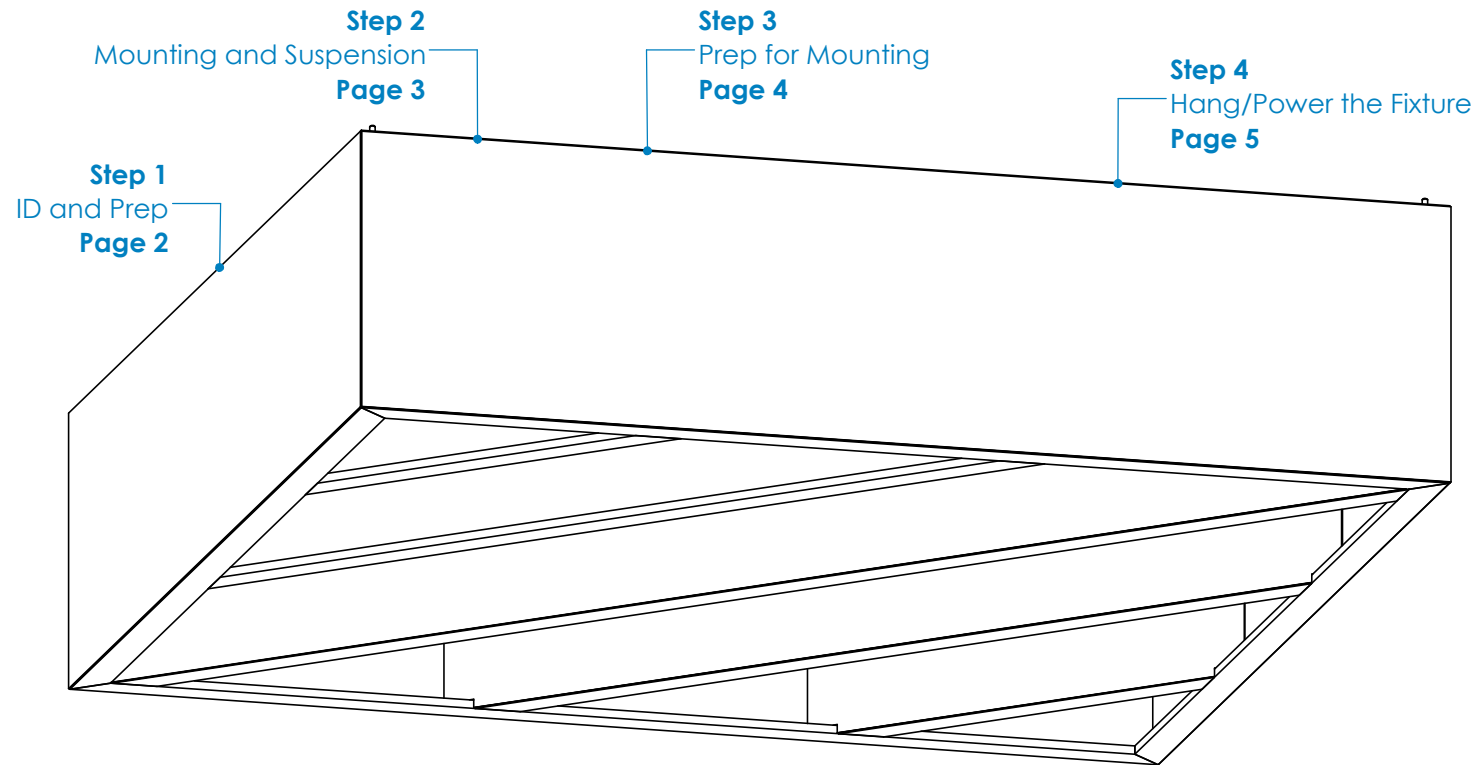


WAB Installation Instructions

Overview

WARNINGS

- This product must be installed in accordance with all applicable codes by a person familiar with the product.
- Each fixture must be **properly supported** during install.
- **DO NOT** join fixtures on the floor prior to lifting, or damage will occur.
- **Before beginning installation**, review our complete list of warnings by visiting www.saylite.com/warnings.



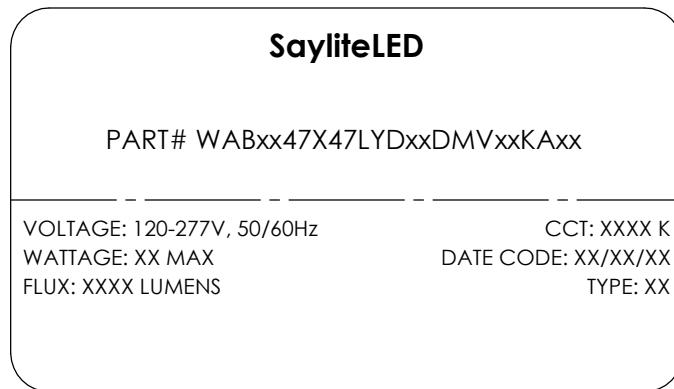
Your particular build may vary.

2020© Saylite | 2055 Luna Road, Suite 142 Carrollton, Texas 75006 | www.saylite.com

WAB Installation Instructions

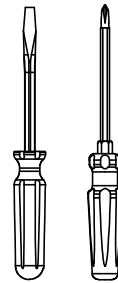
Step 1 - Identification and Preparation

A. Identify Fixtures

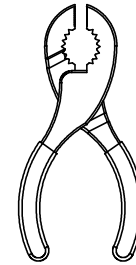


- Use labels found on the box and inside the fixture bodies to identify bodies.
- **NOTE:** Locations of labels can vary.
- Remove all fixtures from their boxes.
- Organize fixtures based on their labels at the install location.

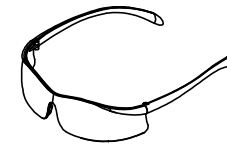
B. Tools Needed



Screwdrivers



Pliers



Safety Glasses

- Always use proper safety equipment when installing fixtures.
- Tools shown are recommended for standard install. Tools needed may vary based on actual install location conditions.

Kitted Hardware

- Saylite has provided the items listed here, with their Saylite part numbers listed. These items can be found in separate boxes shipped with the fixture.
- Ensure all parts are accounted for and set them aside until needed.
- Any additional hardware needed for this installation will be provided by others.

WAB Installation Instructions

Step 2 - Mounting and Suspension

Mounting

Drywall or other hard surfaces - HC 832(?) Hanging Kit*

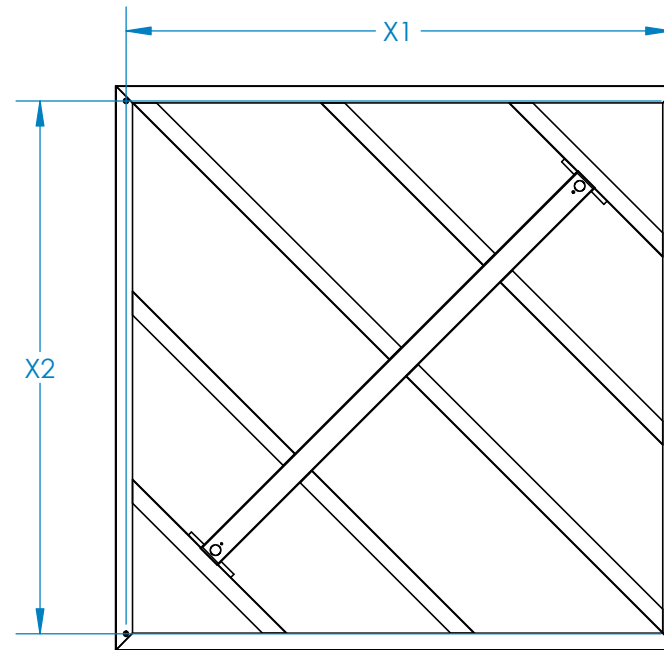
- Install hanging kits at suspension locations.
- Ensure hanging kits are secure.
- Prepare fixture for mounting.

Other hard surfaces include: wood, sheet metal panels, steel beams, concrete or masonry. Use hardware appropriate for each surface and material type.

Suspension Locations

X = Suspension Dimensions

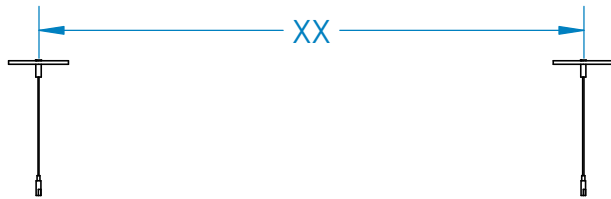
Refer to Assembly Drawings and building plans to determine exact mounting, suspension points, and power feed locations.



WAB Installation Instructions

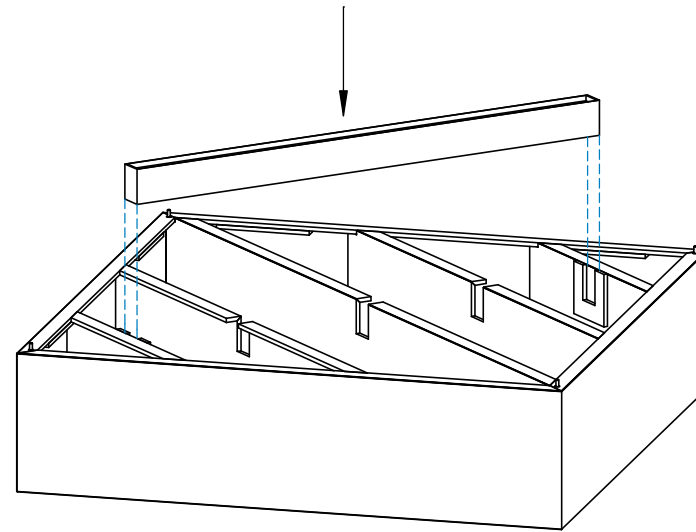
Step 3 - Prepare for Mounting

A. Install Hanging Kits



- Install the hanging kits to the ceiling at the desired mounting locations.
- Ensure that hanging kits are properly secured.
- Adjust hanging cables to desired length, cables can be further adjusted after fixture is installed.
- Refer to hanging kit installation guide for more information.

B. Lay In LED Fixture

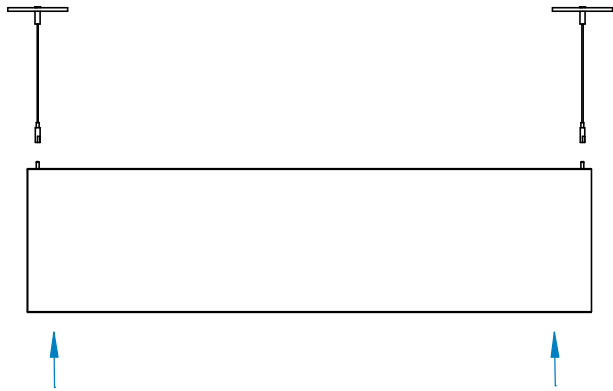


- With the acoustic material assembly on the ground, guide the LED fixture into the slots of the assembly.
- Firmly press the LED fixture into place, ensure each end is resting on the acoustic support.

WAB Installation Instructions

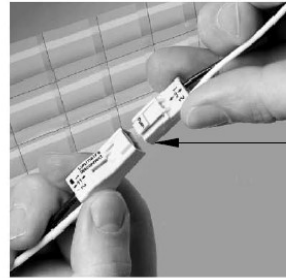
Step 4 - Hang and Power the Fixture

A. Hang the Fixture



- Hang the fixture by screwing the installed hanging cables onto the mounting studs of the fixture.
- Ensure fixture is correctly oriented to the hanging dimensions from Step 2.
- Adjust the length of the cables as needed to level the fixture once all cables have been installed.

B. Connect Fixture Wiring



WIRING LEGEND		
BLACK	HOT	Line Voltage
WHITE	NEUTRAL	Line Voltage
GREEN	GROUND	
GRAY	DIMMING	0-10V DC
VIOLET	DIMMING	0-10V DC

- Wire fixtures to the incoming power supply using the provided quick disconnect clip as shown.
- For dimming option, refer to wiring legend above.
- Use UL approved connectors only. Follow all local, state and national codes.
- Installation is now complete.