



JOB NAME:

CAT#:

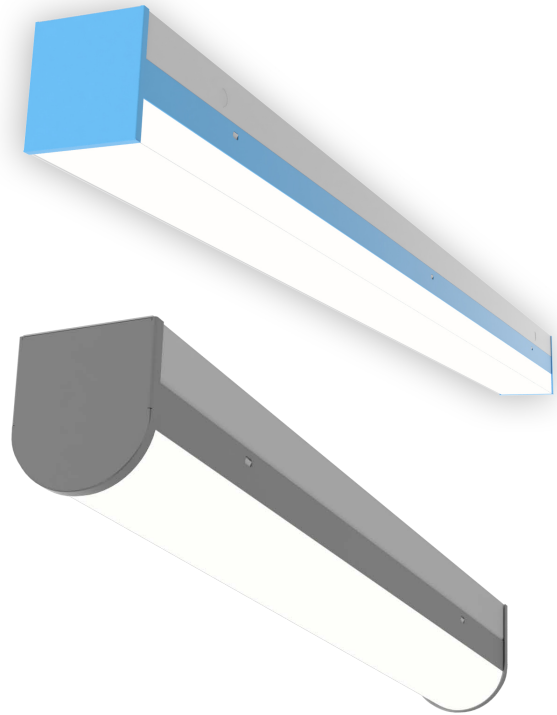
TYPE:

APPLICATIONS

Make a bold, vibrant statement with the Trio Series' full body micro-silhouette that features a minimal design footprint but a lot of illumination. Its dropped frosted diffuser surrounds its scaled LED modules to offer elegant, soft lighting for a multitude of applications. Fixtures can be utilized as stand-alone luminaires or in a connected series, either surface mounted, wallmounted, or pendant mounted. To create a more unique look, use your own custom colors or choose from many standard powder coated finishes.

FEATURES & BENEFITS

- Available in custom finishes (consult factory)
- Fixtures can be surface mounted to the wall or ceiling or pendant hung by engineered hanging kit
- cETL_{US} listed for damp locations up to 90 watts
- L₇₀ > 50000 hrs.
- Min CRI 80
- PL3D comes standard (fixture to fixture wiring options for power and dimming)
- 5 year warranty

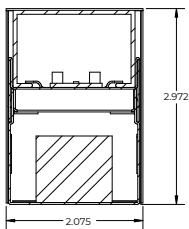


DIMENSIONS

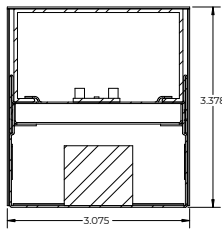
Part	L	X	Y
LS2/LS3 OR RS2/RS3 P24	24"	2.75"	3.27"
LS2/LS3 OR RS2/RS3 P36	36"	2.75"	3.27"
LS2/LS3 OR RS2/RS3 P48	48"	2.75"	3.27"
LS2/LS3 OR RS2/RS3 P96	96"	2.75"	3.27"

L = Length
X = Knock Out Distance
Y = Hanging Kit Distance

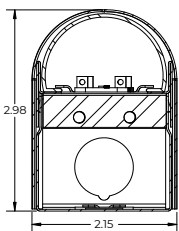
LS2 Side View



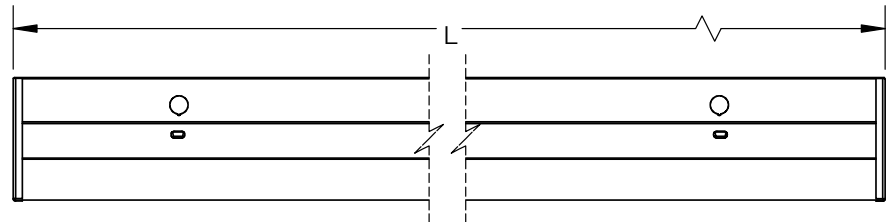
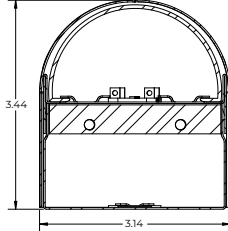
LS3 Side View



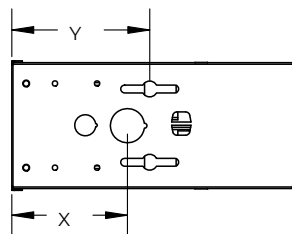
RS2 Side View



RS3 Side View



Pendant/Surface Mount



Dimensions and specifications subject to change without notice.





JOB NAME:

CAT#:

TYPE:

ORDERING

EXAMPLE: LS2 P 24 LED 14 DMV BK FR 30 EM SS GT310

LS2		P		LED									
1. SERIES	2. MOUNTING	3. LENGTH		4. GEAR	6. WATTAGE/LUMENS ¹		7. DRIVER		8. FINISH ²		9. LENS		
LS2	P	Pendant	24	24"	LED	<u>24 in.</u>		DMV	120-277V Multivolt	BK	Black	FR	Frosted Acrylic Lens (85% transmission)
	SM	Surface Mount	36	36"		14	14 Watts 1700 Lumens						
RS2			48	48"		22	22 Watts 2600 Lumens	SDMV	Step dimming Multivolt	WH	White		
			96	96"		<u>36 in.</u>	21					21 Watts 2550 Lumens	
						<u>48 in.</u>	33	33 Watts 3900 Lumens					
						<u>72 in.</u>	28	28 Watts 3400 Lumens					
						<u>96 in.</u>	44	44 Watts 5200 Lumens					
							42	42 Watts 5100 Lumens					
							66	88 Watts 7800 Lumens					
							56	56 Watts 6800 Lumens					
						88	88 Watts 10400 Lumens						

10. CRI		11. COLOR TEMP ³		8. FLAIR ⁴		12. EM (O) ⁷		13. SENSOR ⁶ (O) ⁷		14. HANGING KIT (O) ⁷		15. CONFIGURATION	
Blank	80	30	3000K	RD	Red	EM14	14W Emergency	SS	Integral Occupancy Sensor	GT310	GT310 cable kit with (2) 10' cables	Blank	Individual
9	90	35	3500K	BL	Blue		Battery Backup ⁵	SSD	Daylight Harvesting Occupancy	GT315	GT315 cable kit with (2) 15' cables	-B	Beginner Run
		40	4000K	BK	Matte Black							-E	Ender Run
		50	5000K									-J	Joiner Run

Notes:

¹Minimum fixture wattage of 10W. Minimum 5W per fixture foot, maximum 20.5W per fixture foot. Programmable LED drivers allow custom configured wattages and corresponding lumens. Power feed cable is 18 AWG, a power drop will be required every 48 feet of fixture length OR every 800W, whichever comes first.

²Finish refers to the color of the driver cover portion of the fixture body.

³Consult factory for 90CRI and 5000K availability.

⁴Flair refers to the end caps and middle stripe of the fixture body.

⁵EM backup integrated in fixtures 4' and longer

⁶Sensors are not integrated and add approx. 3 inches to overall fixture length. Adding a sensor to an existing fixture requires rewiring.

⁷(O) is optional

ACCESSORIES

C15WH 15' 3 wires 18-gauge power cord

C515WH 15' 5 wires 18-gauge power cord

HC4015WWH 4ft White Canopy Kit with 5 Wire Cord

HC4016WWH 4ft White Canopy Kit with 6 Wire Cord

HC4025WWH 12ft White Canopy Kit with 5 Wire Cord

HC4026WWH 12ft White Canopy Kit with 6 Wire Cord

Dimensions and specifications subject to change without notice.



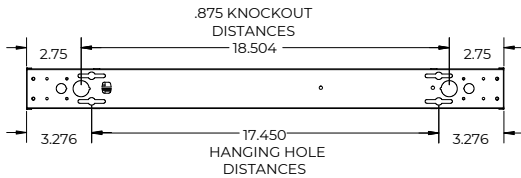
JOB NAME:

CAT#:

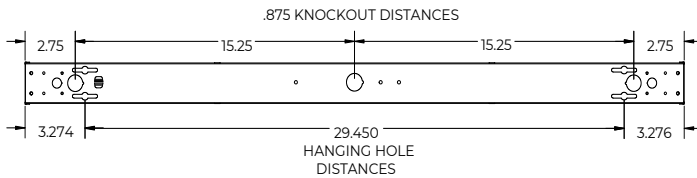
TYPE:

DIMENSIONS

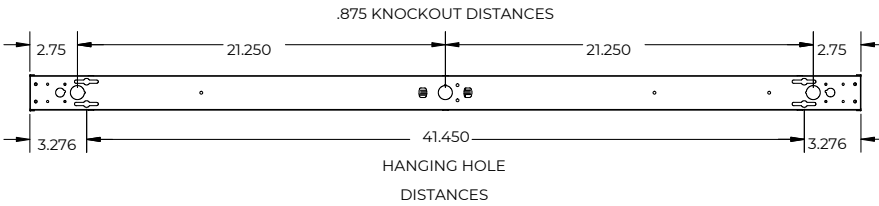
LS2/RS2P24



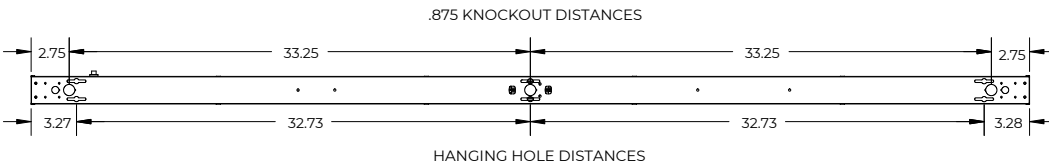
LS2/RS2P36



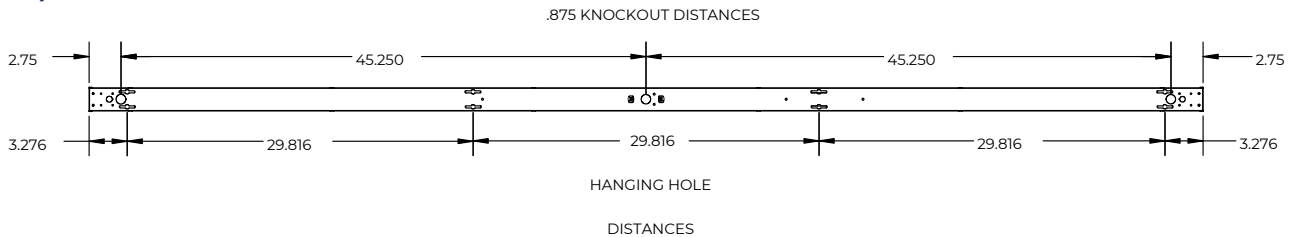
LS2/RS2P48



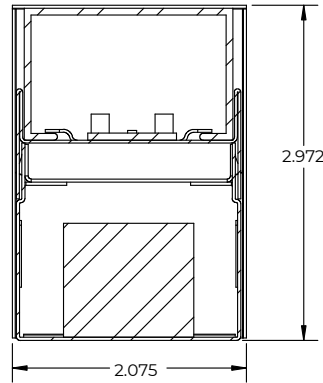
LS2/RS2P72



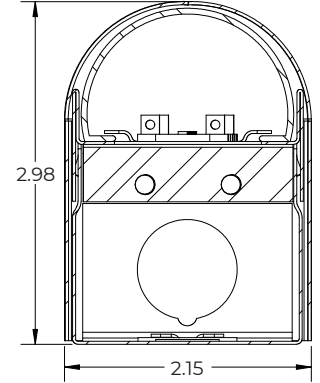
LS2/RS2P96



LS2 Side View



RS2 Side View



Dimensions and specifications subject to change without notice.



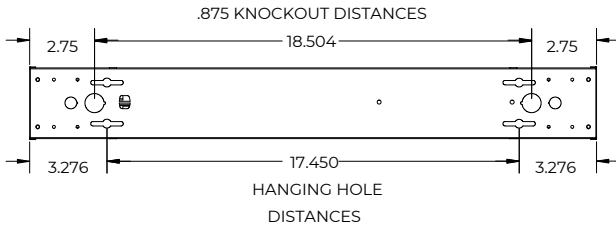
JOB NAME:

CAT#:

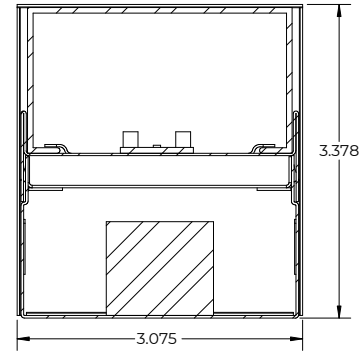
TYPE:

DIMENSIONS

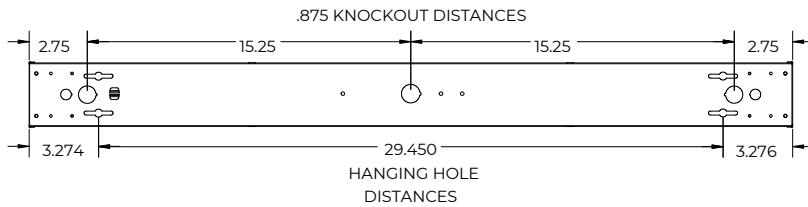
LS3/RS3P24



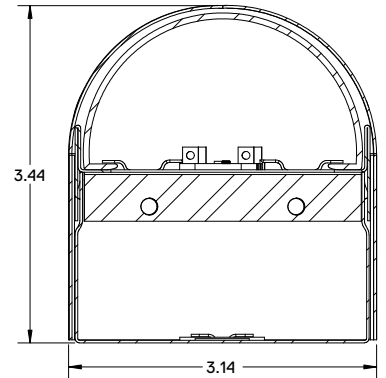
LS3 Side View



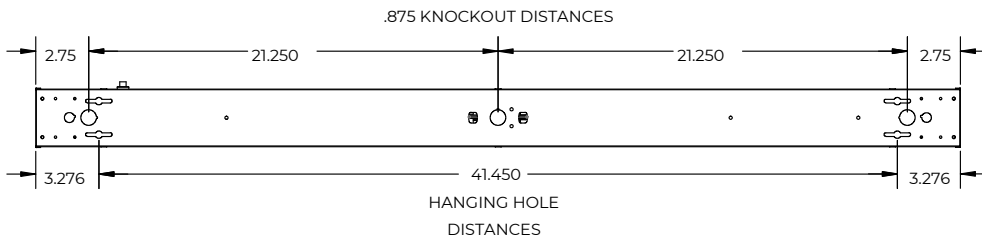
LS3/RS3P36



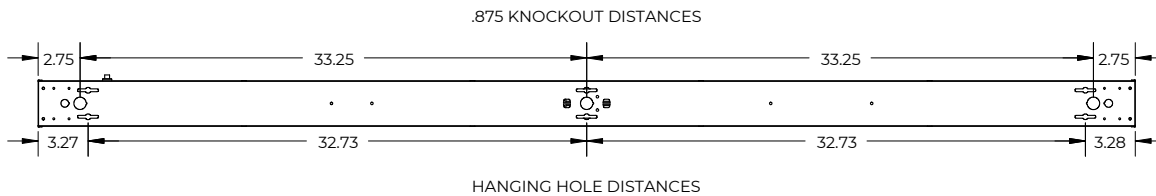
RS3 Side View



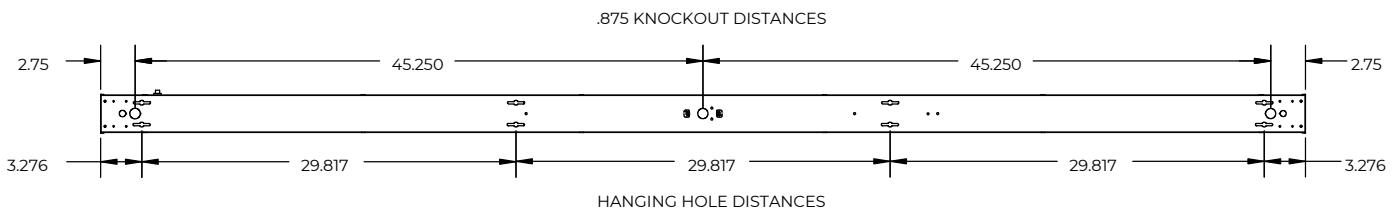
LS3/RS3P48



LS3/RS3P72



LS3/RS3P96



Dimensions and specifications subject to change without notice.



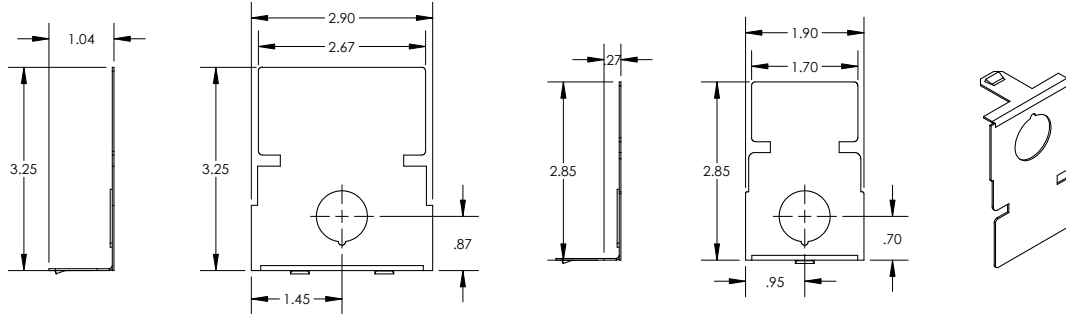
JOB NAME:

CAT#:

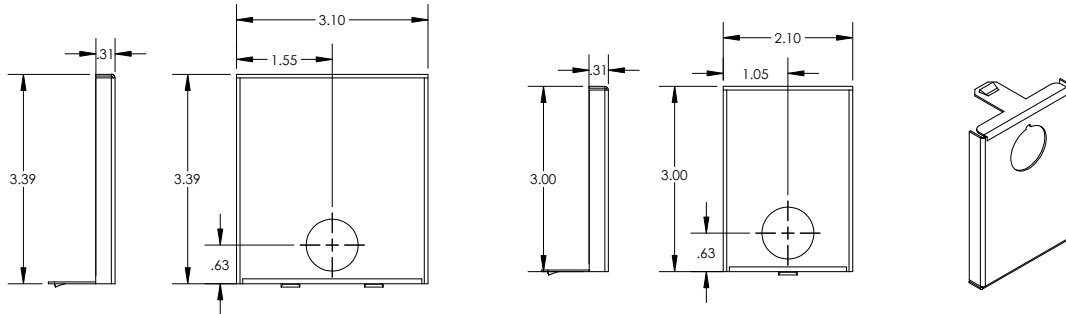
TYPE:

DIMENSIONS

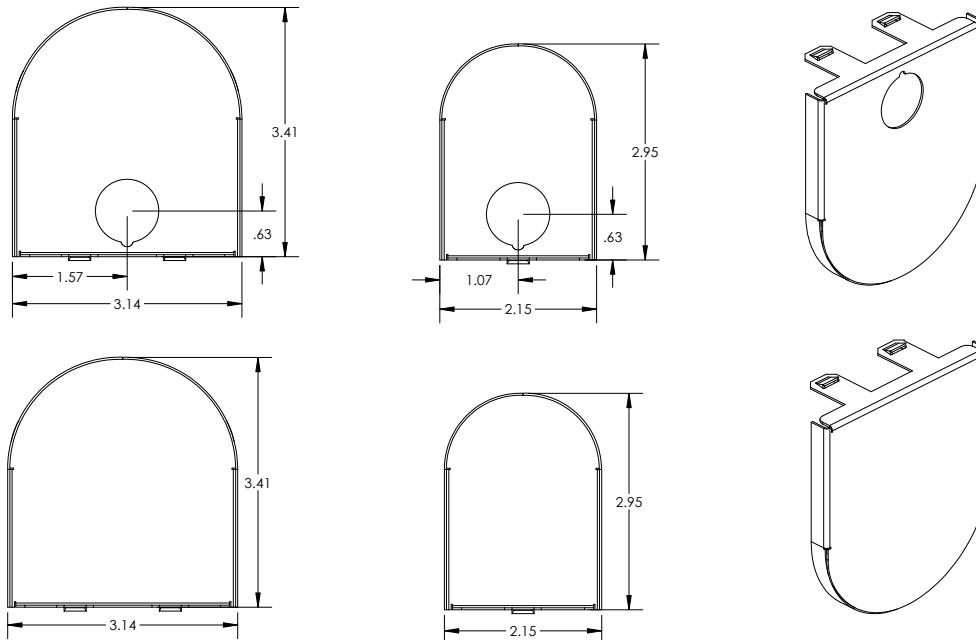
LS2/LS3 CR-L Endcap



LS2/LS3 CR Endcap



RS2/RS3 Endcap



Dimensions and specifications subject to change without notice.