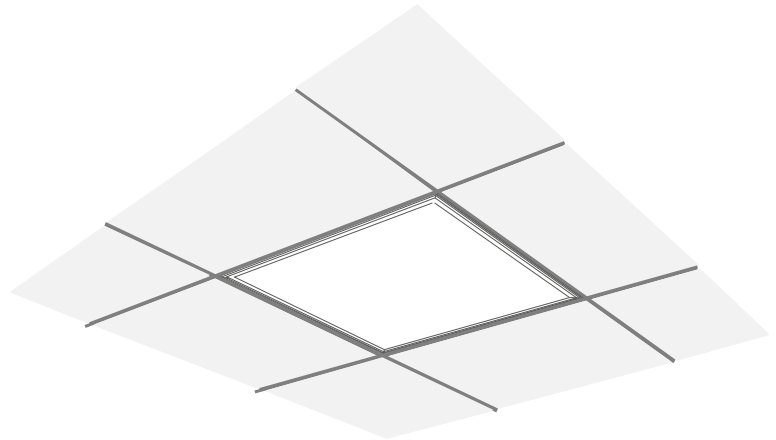


Installation Guide

RECESSED Grid-CEILING (For Back Lit Farme Series)



BEFORE YOU BEGIN

Read these instructions completely and carefully.

⚠ WARNING/AVERTISSEMENT

RISK OF ELECTRIC SHOCK

- Turn power off before inspection, installation or removal.
- Properly ground electrical enclosure.

RISK OF FIRE

- Follow all NEC and local codes.
- Use only UL or IEC approved wire for input/output connections. Minimum size 18 AWG (0.75mm²).

RISQUES DE DÉCHARGES ÉLECTRIQUES

- Coupez l'alimentation avant d'inspecter, installer ou déplacer le luminaire.
- Assurez-vous de correctement mettre à la terre le boîtier d'alimentation électrique.

RISQUES D'INCENDIE

- Respectez tous les codes NEC et codes locaux.
- N'utilisez que des fils approuvés par UL ou IEC pour les entrées/sorties de connexion. Taille minimum 18 AWG (0.75mm²).

Prepare Electrical Wiring

Refer to **PL Series LED Panel Specification** for more lamp electrical data info.



Electrical Requirements

- The LED luminaire must be connected to the mains supply according to its ratings on the product label.



Grounding Instructions

- The grounding and bonding of the overall system shall be done in accordance to local electric code of the country where the luminaire is installed.

Save These Instructions

Use only in the manner intended by the manufacturer. If you have any questions, contact the manufacturer.

⚠ CAUTION

Do not perforate the integrity of the luminaire. Only screw into the threaded mounting bracket holes located at the four corners of the fixture.

⚠ WARNING/AVERTISSEMENT

Risk of Fire. Do not install insulation within 3 inches (76 mm) of luminaire top.
Risques d'incendie. Ne pas installer d'isolation à moins de 76 mm (3 pouces) au-dessus du luminaire.

Storage Info

Environmental Operating Temperature Range

-10°C to +40°C

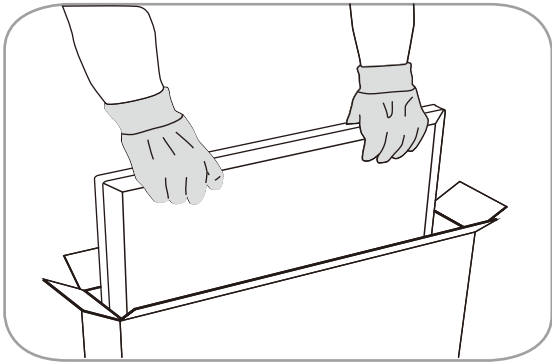
Environmental Rating

Dry or damp location rated

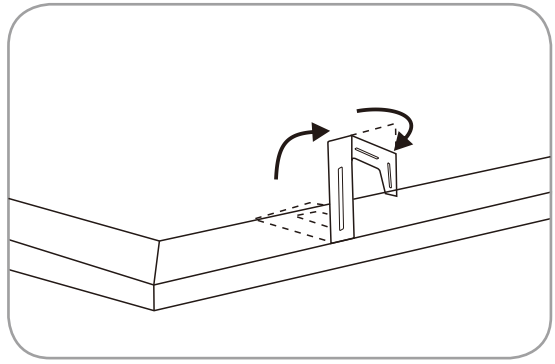
Environmental Storage Temperature Range

-40°C to +60°C

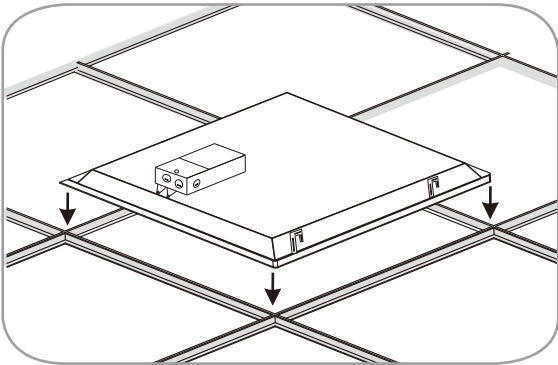
Recessed In Grid-Ceiling



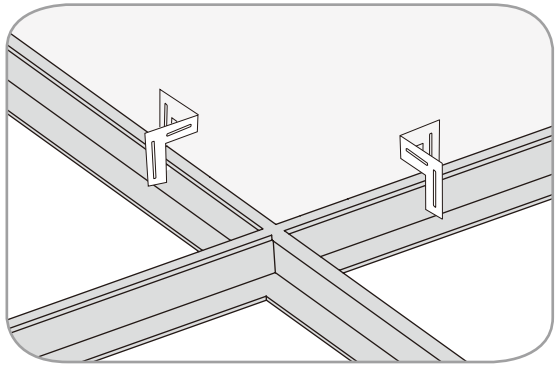
- 1 Take the panel out of the box and protective bag, Remove the protective film.



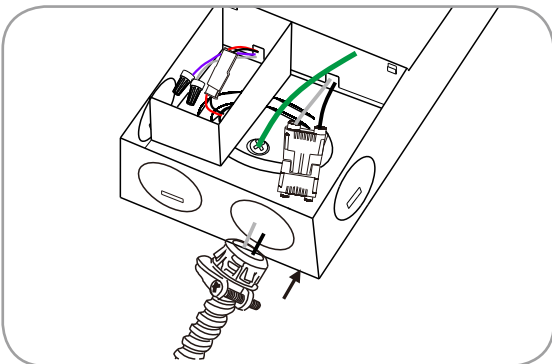
- 2 Lift the mounting clip on the edge of panel. Turn the mounting clip head



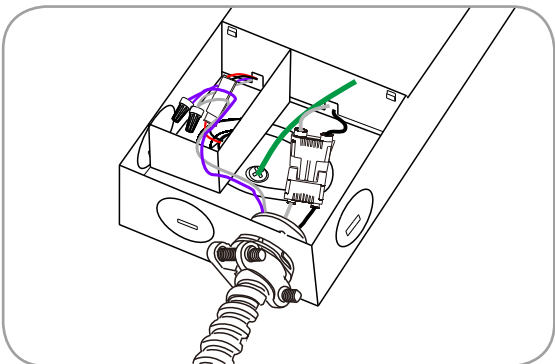
- 3 Put the panel into grid ceiling.



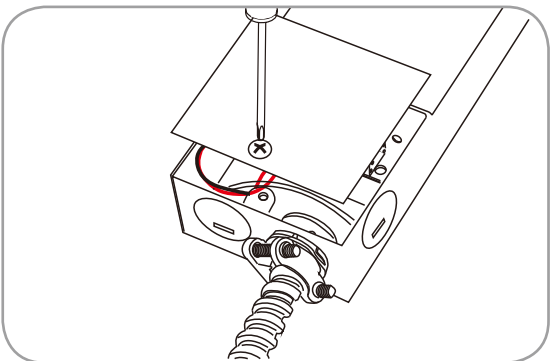
- 4 Check the clips well fasten to T-BAR(Main/Cross ceiling tee).



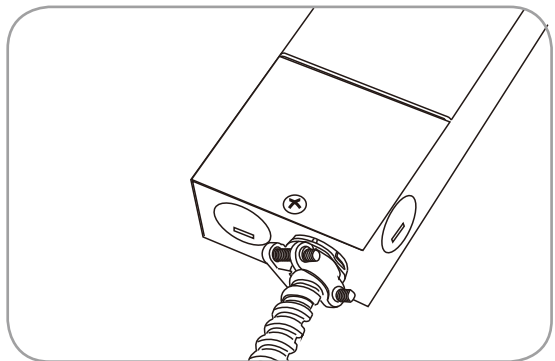
- 5 Insert the cable into driver box.



- 6 Connect the AC mains power to LED Driver, for 0-10V dimmable panel, connect the 0-10V dimming cable.



- 7 Fix the driver cover back.



- 8 Complete.