



JOB NAME:

CAT#:

TYPE:

APPLICATIONS

Functionality is the key focus for Mobern's simply designed Acoustic Box series. The Box Drum takes us back to the basics with a modern square design- fit for any design aesthetic. Stifle reverberating sounds by placing this light box in singular spaces or arrange in a pattern in larger areas for a more intricate design. The simplicity of this fixture encourages designers to play with color and scale- the Box drum is available in two sizes (25X25, 50X50), and over 30 colors. This series is an optimal solution for schools, offices, and other high traffic areas where both sound reduction and a minimalist design are desired.

FEATURES & BENEFITS

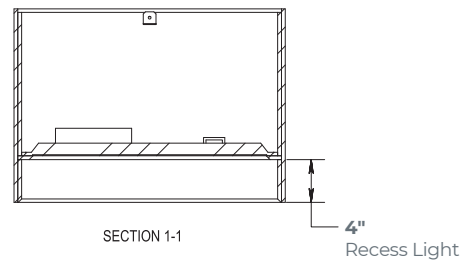
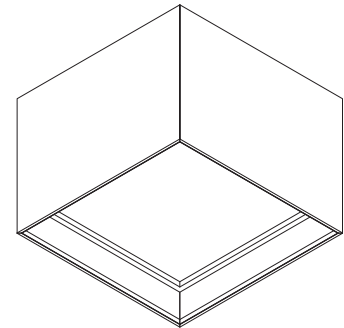
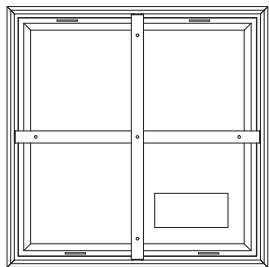
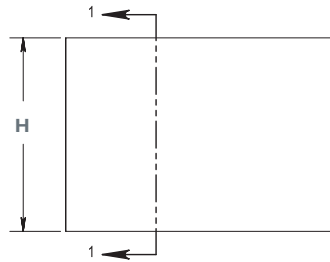
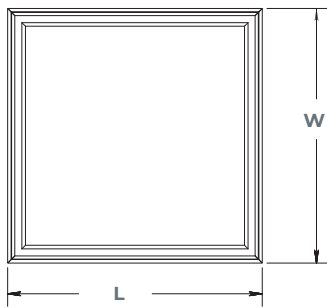
- 2 standard sizes – 25x25, 50x50
- 30+ acoustic material color options available
- 6' pendant mount hanging kit accommodates most ceiling types
- ASTM E84 Class A or B Flammability Rating
- CRI >80
- >50,000 hrs of L70 LED life
- 0-10 Volt dimmable 120-277V
- Power factor >0.90
- 5 year warranty



DIMENSIONS

Part	L	W	H
ASD25x25	25"	25"	12"
ASD50x50	50"	50"	12"

L = Length
W = Width
H = Height



Dimensions and specifications subject to change without notice.



BY AMERICAN WORKERS USING AMERICAN AND FOREIGN COMPONENTS





JOB NAME:

CAT#:

TYPE:

ORDERING

EXAMPLE: ASD P 25X25 LED 30 DMV MCT A53

ASD	P			LED				
1. SERIES	2. MOUNTING	3. WIDTHXLENGTH		4. GEAR	5. WATTAGE/LUMENS	6. DRIVER	7. COLOR TEMP	
ASD	P Pendant	25X25	24"W x 24"L	LED	<u>24x24 in.</u>	DMV 120-277V Multivolt 0-10V Dimmable	24x24 in	
		50X50	48"W x 48"L		20 20 Watts 2200 Lumens		MCT Multiple Color Temperature 3500K, 4000K, 5000K on a 3-Positions switch	
					30 30 Watts 3300 Lumens (default)			
					40 40 Watts 4400 Lumens			
					<u>48x48 in</u>		48x48 in	
					85 85 Watts 8000 Lumens		30 3000K	
							35 3500K	
							40 4000K	
							50 5000K	

8. FLAIR ¹		9. MATERIAL CLASS	
A53	Lava	Blank	Class B
A50	Caramel	A	Class A
A48	Avocado		

Notes:
¹ Personalize your fixture by choosing a standard color for your acoustic material

Dimensions and specifications subject to change without notice.



JOB NAME:

CAT#:

TYPE:

ACOUSTIC MATERIAL COLOR OPTIONS



07 - White



44 - Ivory



42 - Cream



52 - Latte



02 - Taupe



53 - Smoky
Beige



09 - Deep
Blue



21 - Indigo
Blue



19 - Denim



56 - Azure



30 - Blue



18 - Arctic Ice



54 - Espresso



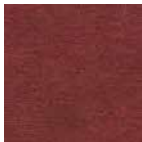
49 - Brunette



35 - Speckled
Earth



43 - Lava



36 - Berry



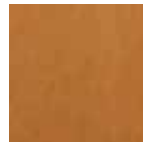
45 - Big Red



55 - Tangerine



41 - Marigold



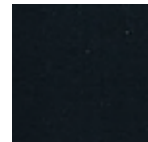
50 - Caramel



51 - Sunkist
Orange



22 - Yellow



10 - True
Black



17- Dark
Gray



11 - Steel



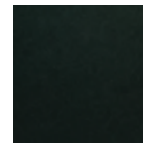
34 - Pure
Gray



06-12-City
Brown



03-12-
Light Gray



47 - Emerald



05 - Dark
Green



12 - Moss



39 - Green
Apple



48 - Avocado



08 - Eggplant

Dimensions and specifications subject to change without notice.