



JOB NAME:

CAT#:

TYPE:

APPLICATIONS

This low profile, strip fixture is sleek and contemporary with an architecturally forward design. It is available in multiple lengths and has the ability to be joined in continuous runs for the flexibility to work well in any environment. This fixture is a perfect fit for: schools, offices, conference rooms, designer studios, retail, hospitals, or any open concept area.

Die-formed and welded 22 gauge cold rolled steel body with knockouts on ends allowing continuous row mounting. A 1/2" regressed flange at the bottom ensures uniformity and rigidity. Design housing with formed LED gear tray allows for uniform light and great distribution, putting light right where you need it.

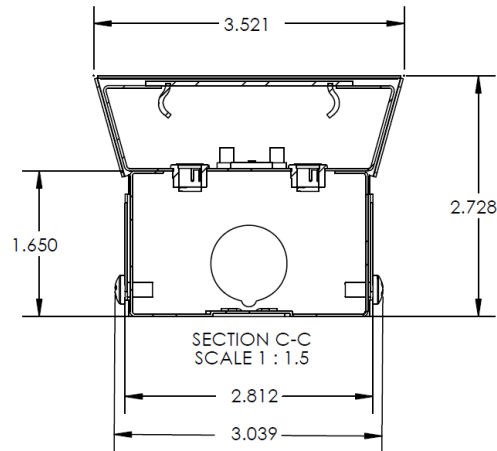
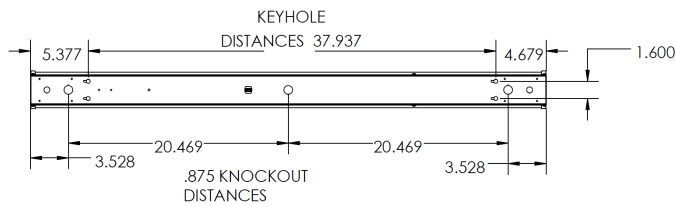


FEATURES & BENEFITS

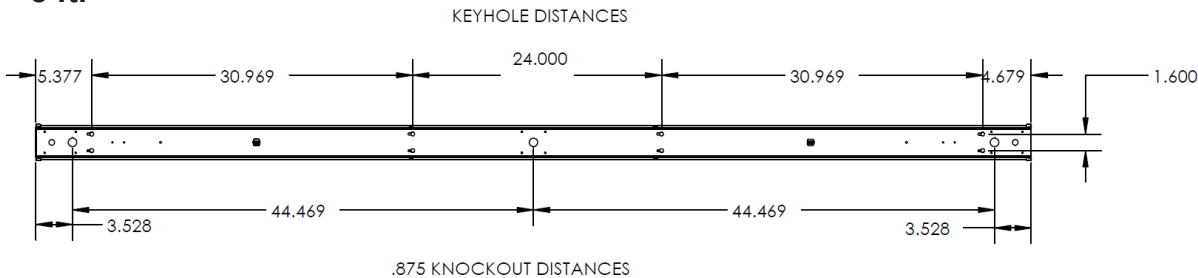
- $L_{70} > 50,000$ hrs.
- Min CRI 80
- Specially formulated frosted acrylic lens that provides high light transmission and excellent glare control
- Multiple lengths and lumen packages available
- $c_{ETL_{US}}$ listed for damp locations
- 5 year warranty

DIMENSIONS

4 ft.



8 ft.



Dimensions and specifications subject to change without notice.





JOB NAME:

CAT#:

TYPE:

ORDERING

EXAMPLE: 42T 48 LED 30 DMV WH FR 30 EM P11

42T		LED							
1. SERIES	2. SIZE	3. GEAR	4. WATTAGE/LUMENS	5. DRIVER ¹	6. FINISH	7. LENS	8. COLOR TEMP		
42T	48 48"	LED	4 ft.		DMV 120-277V Multivolt 0-10V Dimmable	WH White BK Black SI Silver	FR Frosted	30	3000K
	96 96"		38	38 Watts 3990 Lumens				35	3500K
			45	45 Watts 4700 Lumens				40	4000K
			8 ft.					50	5000K
			60	60 Watts 6300 Lumens					
			75	75 Watts 7900 Lumens					
		90	90 Watts 9450 Lumens						
				SDMV Step Dimming 120-277VAC 100%-40%					
				D347V 347VAC 0-10V Dimming					
				D120 Triac Dimming 120VAC					
				D277 Triac Dimming 277VAC					

9. EMERGENCY (O) ²	10. PLUG IN OPTIONS (O) ²
EM 10W Emergency Battery Backup	PI1 3 wire harness, including white, black, and green
	PI2 4 wire harness, including white, black, green, and blue for emergency battery backup
	PI3D 5 wire harness, including white, black, green, violet, and gray

¹See chart below for whip & cord ordering options

*Cord & Whip Ordering Chart (Add to End of Fixture Part Number)						
Part No.	# of Wires	Length	End Fitting	Finish	Voltage	Amps (TL Only)
WP - Whip CS - Cordset	(Blank) 3 Wire 4 - 4 Wire 5 - 5 Wire 6 - 6 Wire	(Blank) 6 feet 8 - 8 feet 10 - 10 feet 12 - 12 feet 15 - 15 feet	(Blank) No Plug P* - Standard Plug TL* - Twist Lock	BK - Black WH - White	(Blank) 120-277V 120 - 120V 277 - 277V 347 - 347V	15 - 15 Amps 20 - 20 Amps

Notes:
¹Consult for Triac dimming
²(O) is optional

Dimensions and specifications subject to change without notice.

